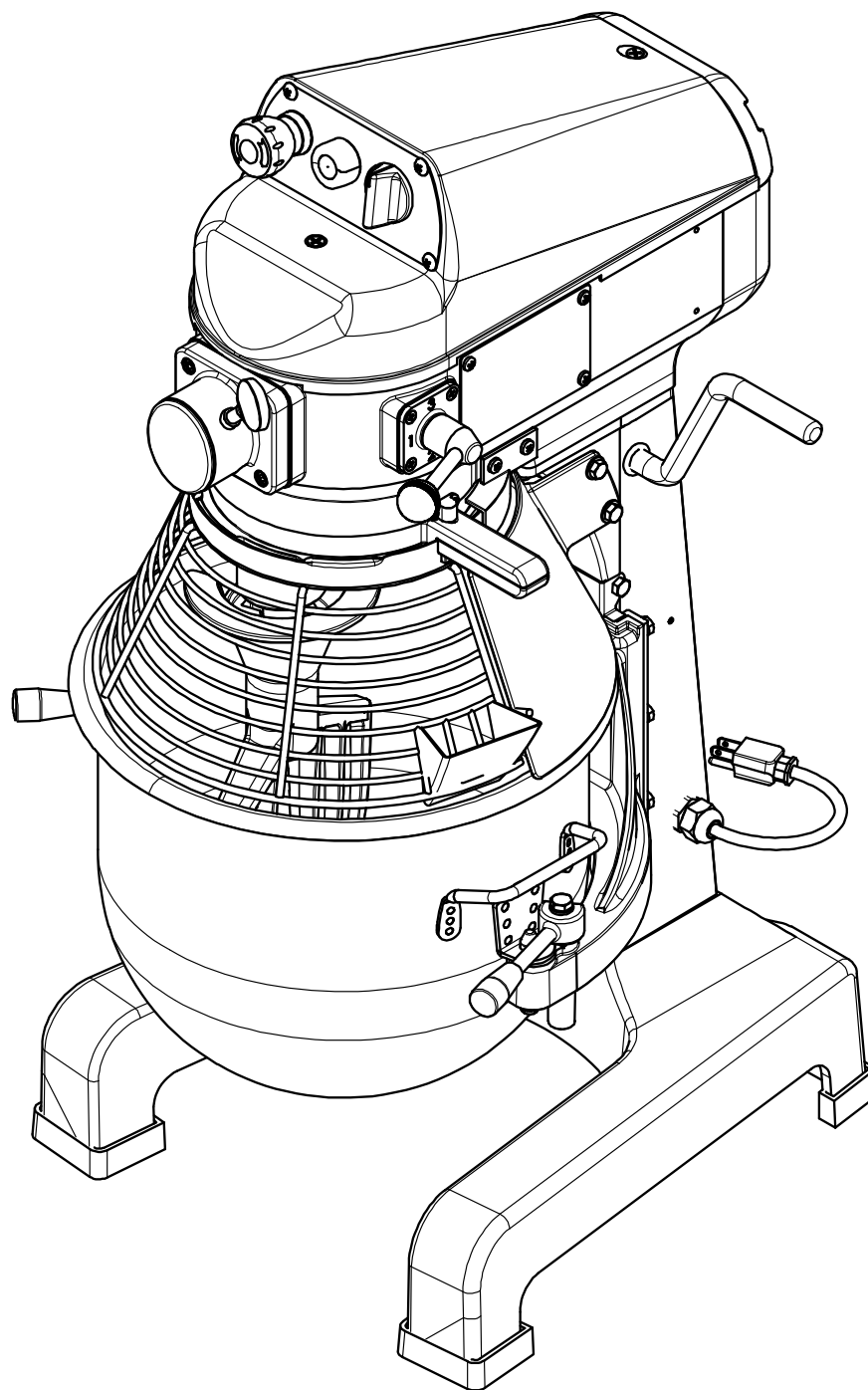
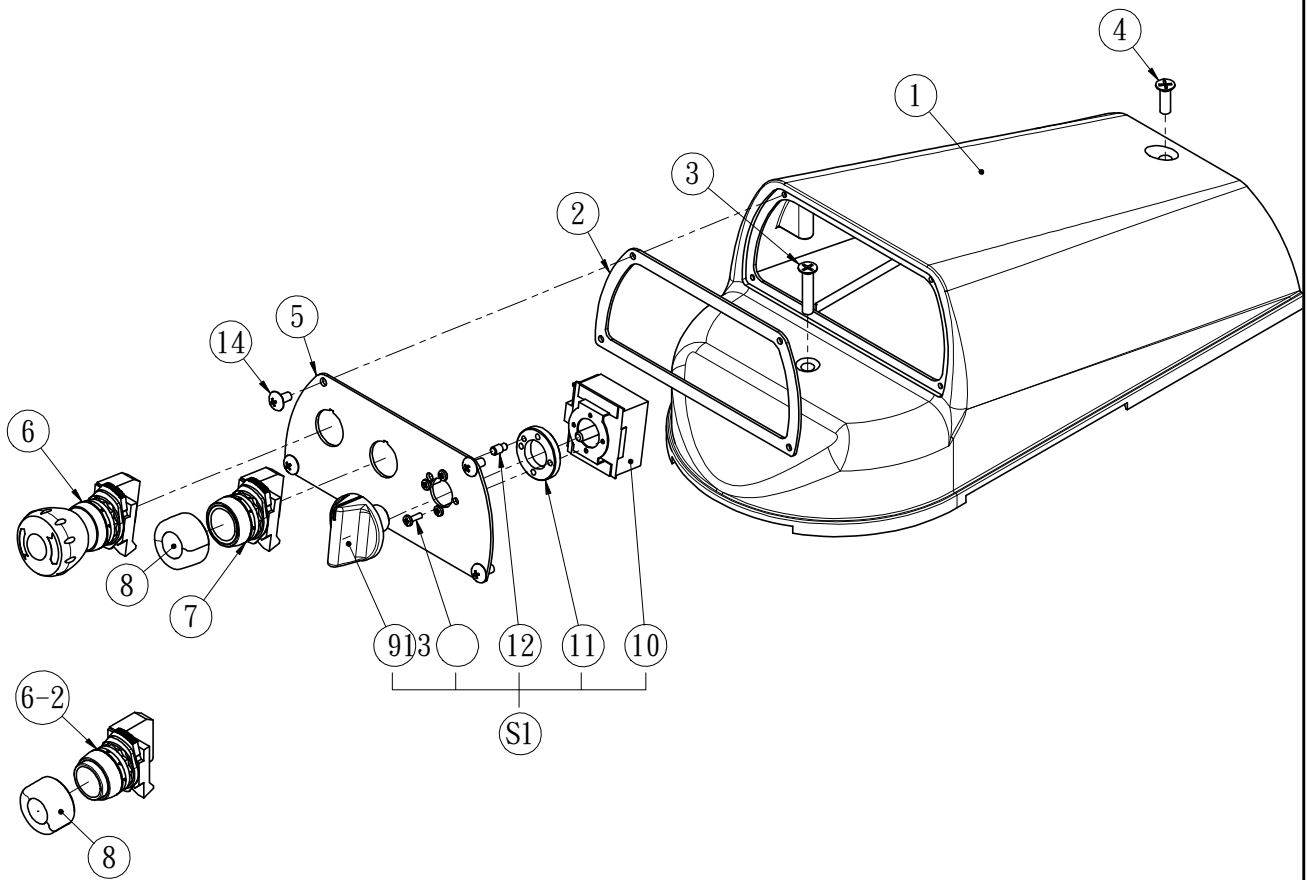


Model SP-200A & SP-200



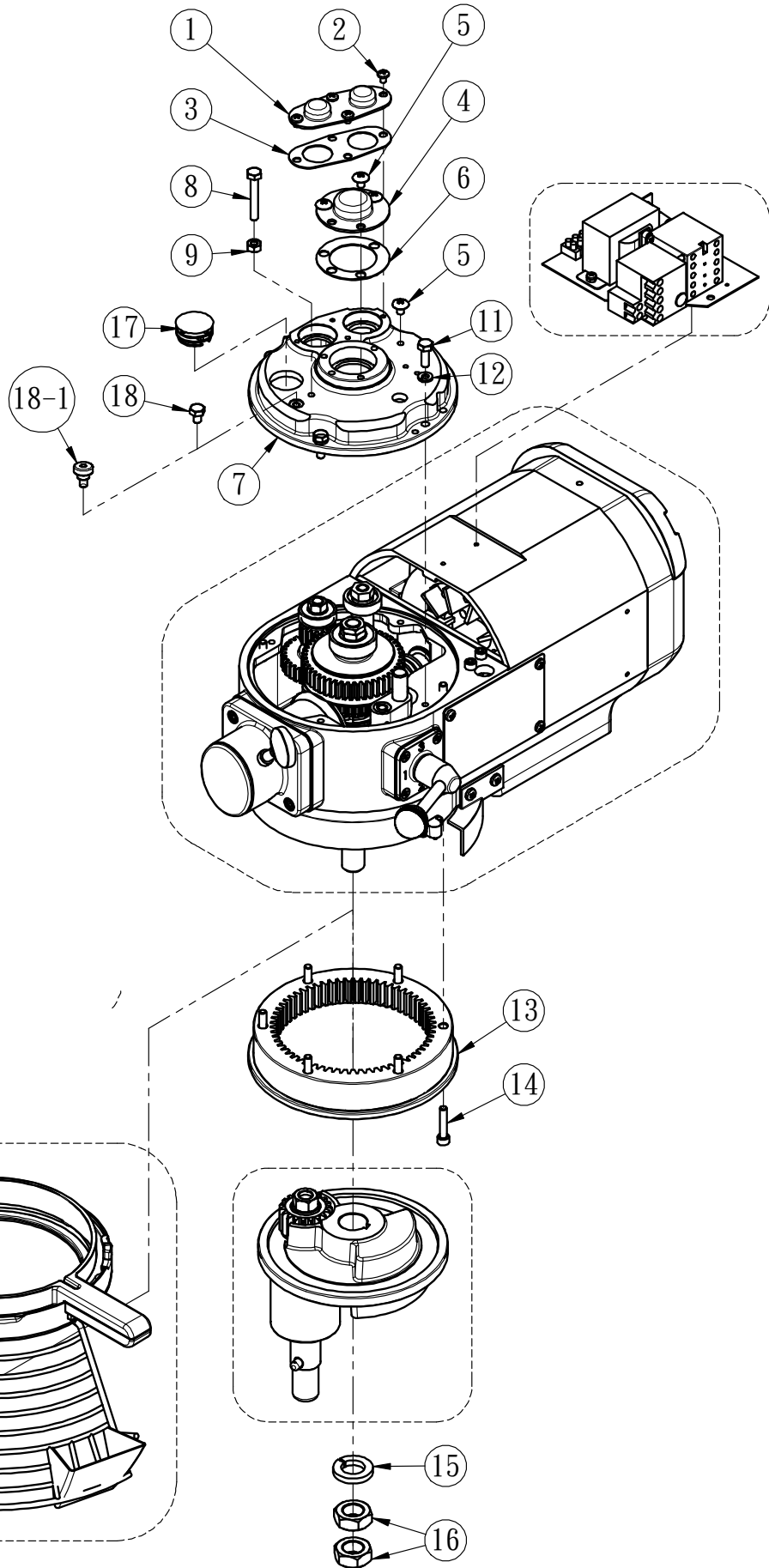
2016 Version

SP-200 & SP-200A TOP COVER UNIT



ITEM	PART NO.	Q'ty	REMARK
1	200001DC	1	
2	22005-A	1	
3	A107-C0211-A1	1	
4	A107-C0208-A1	1	
5	PL02-B98	1	WITH TIMER AND SPAR LOGO
	PL02-B432	1	NO TIMER; WITH SPAR LOGO
6	J101-001	1	STANDARD ONE
6-2	J103-001	1	NORTH AMERICA USE ONLY
7	J202-001	1	
8	200517	1	
S1	22008	1	ASSEMBLY PART; OPTOINAL
9	22008-2	1	
10	J301-001	1	
11	22008-1	1	
12	22008-3	1	
13	A104-A0605-A2/G1	4	
14	A106-A0805-D	4	

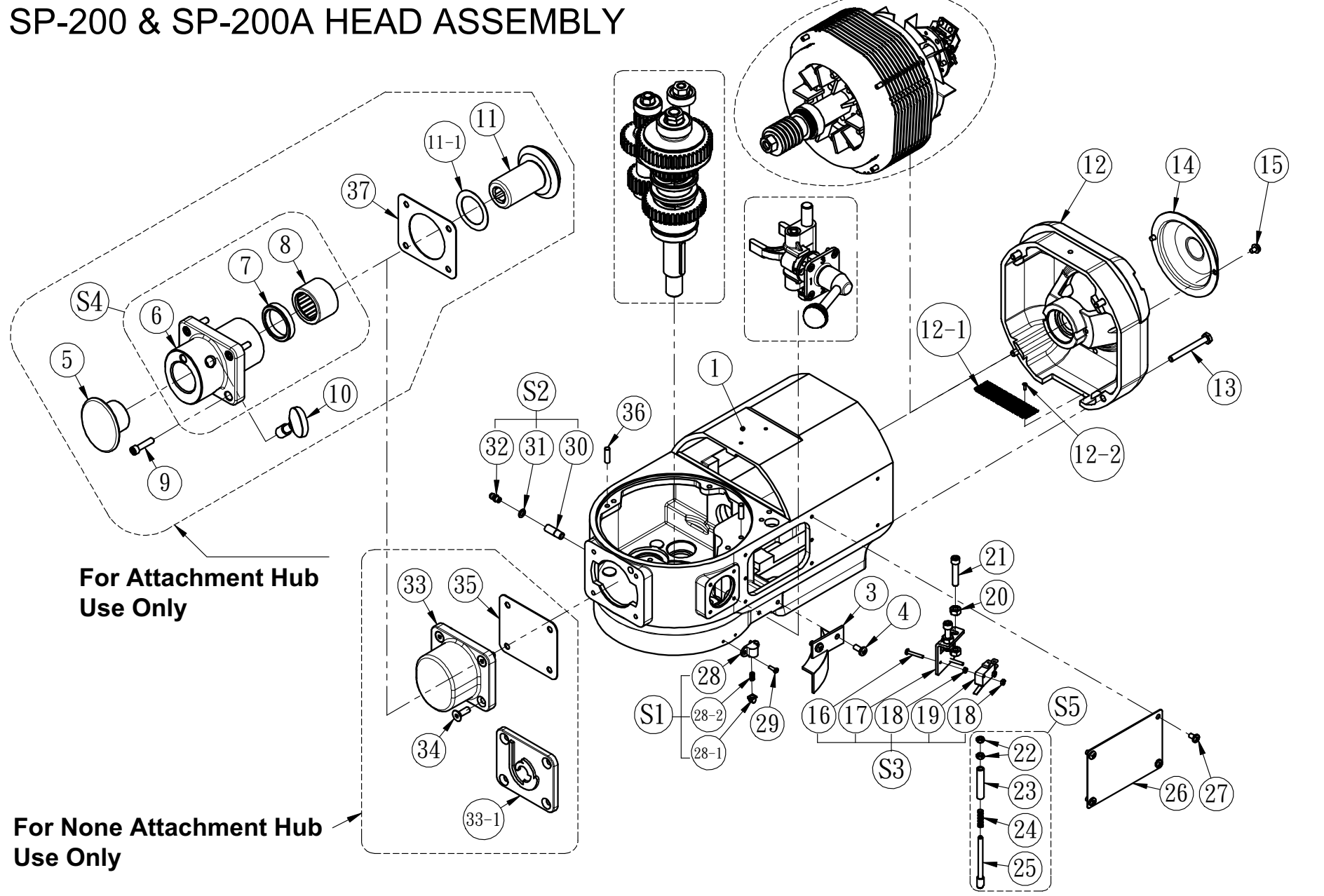
SP-200 & SP-200A HEAD UNIT



SP-200 & SP-200A HEAD UNIT- PARTS TABLE

ITEM	PART NO.	Q'ty	REMARK
1	200071	1	
2	A106-C0104-A1	4	
3	200071-A	1	
4	200072	1	
5	A106-C0204-A1	4	
6	200072-A	1	
7	200074	1	
8	A101-C0213-A1	1	WITH ATTACHMENT HUB USE
	A101-C0214-A1	1	WITHOUT ATTACHMENT HUB USE
9	A201-C02-A1	1	
10	xxx	xxx	
11	A101-C0208-A1	4	
12	A302-C02-B4	4	
13	200078	1	
14	A102-C0210-C4	6	
15	A302-C09-A1	1	
16	A201-D09T100-A1	2	
17	T901-001	1	
18	A101-C0204-A1	1	STANDARD
18-1	200002-3	1	CUSTOMIZED PART

SP-200 & SP-200A HEAD ASSEMBLY

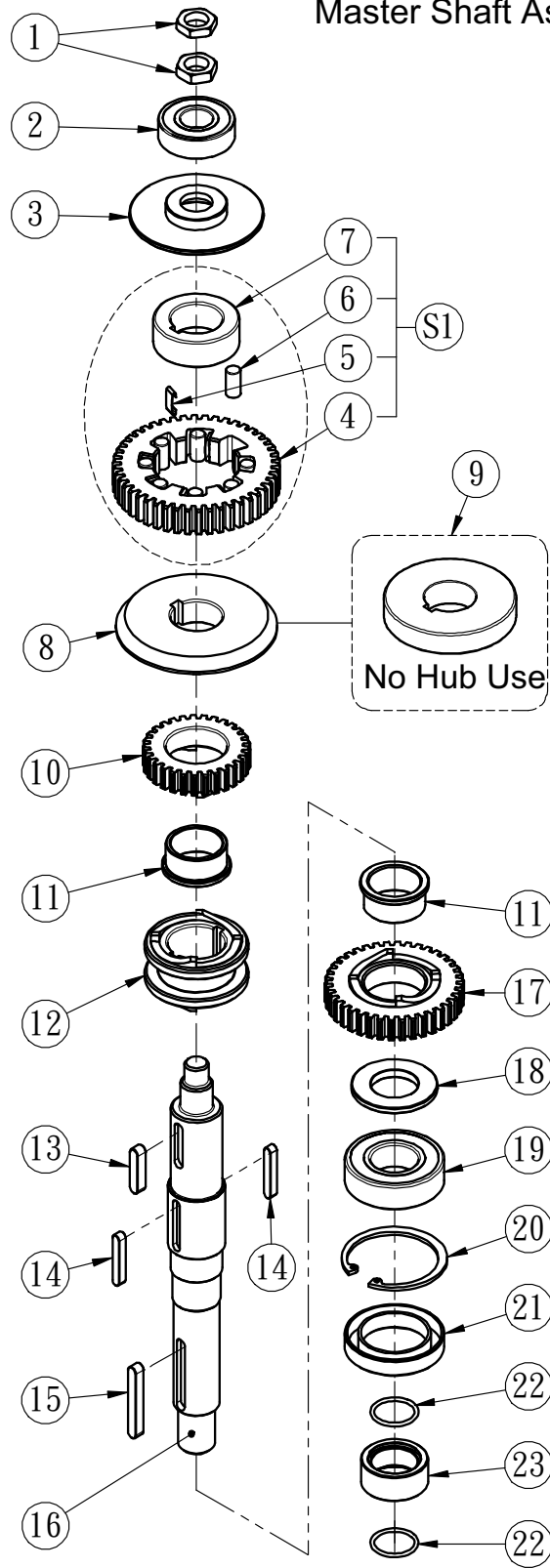


SP-200 & SP-200A HEAD ASSEMBLY- PARTS TABLE

ITEM	PART NO.	Q'ty	REMARK
1	200059-1	1	SP-200A USE ONLY
	200059	1	SP-200 USE ONLY
2	xxx	xxx	
3	200516	1	SP-200A USE ONLY
4	A105-A1004-D	2	SP-200A USE ONLY
5	200007	1	ATTACHMENT HUB USE
S4	200006S	1	ASSEMBLY PART; ATTACHMENT HUB USE
6	200006	1	
7	TC-354508	1	
8	A503-TA3530	1	
9	A102-C0210-C4	4	ATTACHMENT HUB USE
10	200005	1	ATTACHMENT HUB USE
11	200003	1	ATTACHMENT HUB USE
11-1	30014-A	1	ATTACHMENT HUB USE
12	200054	1	
12-1	-	1	
12-2	-	2	
13	-	4	
14	200053	1	
15	-	2	
S3	200058S	1	ASSEMBLY PART
16	A105-A0609-A1	2	
17	200058	1	
18	A201-A06-A1	4	
19	J404-001	1	
20	A201-C02-A5	4	
21	A102-C0211-C4	2	
S5	200043S	1	ASSEMBLY PART; METAL
	200043-1S	1	ASSEMBLY PART; PLASTIC
22	A201-A10-A1	2	
23	22091	1	
24	200044	1	
25	200043	1	METAL
	200043-1	1	PLASTIC
26	200055	1	
27	A105-C0102-D	4	
S1	200075	1	ASSEMBLY PART
28	200075-A	1	
28-1	200075-B	1	
28-2	200075-1	1	
29	A106-A0604-D	2	
S2	200142S	1	ASSEMBLY PART
30	200140	1	
31	200141	1	
32	200142	1	
33	7MX010	1	NO ATTACHMENT HUB USE
33-1	7MX010-1	1	NO ATTACHMENT HUB USE- CUSTOMZIED
34	A108-C0209-C4	4	NO ATTACHMENT HUB USE
35	200006-B	1	NO ATTACHMENT HUB USE
36	200074-1	2	
37	200006-A	1	

SP-200 & SP-200A GEAR BOX ASSEMBLY

Master Shaft Assembly



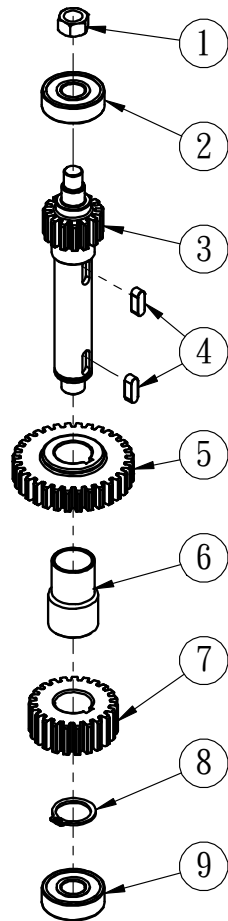
SP-200 & SP-200A GEAR BOX - PART TABLE

Master Shaft Assembly

ITEM	PART NO.	Q'ty	REMARK
1	A201-D06T050-A1	2	
2	A502-6203ZZ	1	
3	200090	1	
S1	200094S	1	ASSEMBLY PART
4	200094	1	
5	200093	8	
6	200092	8	
7	200091	1	
8	200095	1	WITH ATTACHMENT HUB USE
9	200095-1	1	WITHOUT ATTACHMENT HUB USE
10	200096	1	
11	200099	2	
12	200110	1	
13	A402-060628	1	
14	A402-050532	2	
15	A402-060645	1	
16	200107	1	
17	200100	1	
18	200101	1	
19	A502-6205LLU	1	
20	RTW-52	1	
21	TC-355210	1	
22	A601-023-01	2	
23	200104	1	

SP-200 & SP-200A GEAR BOX ASSEMBLY

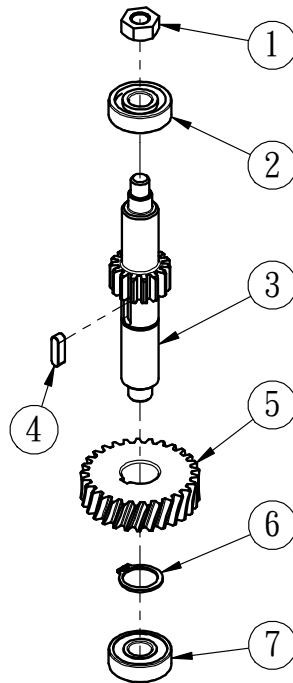
Transmission Shaft Assembly



ITEM	PART NO.	Q'ty	REMARK
1	A201-D04-A1	1	
2	A502-6201ZZ	1	
3	200129	1	
4	A402-050515	2	
5	200126	1	
6	200122	1	
7	200121	1	
8	STW-19	1	
9	A502-6201	1	

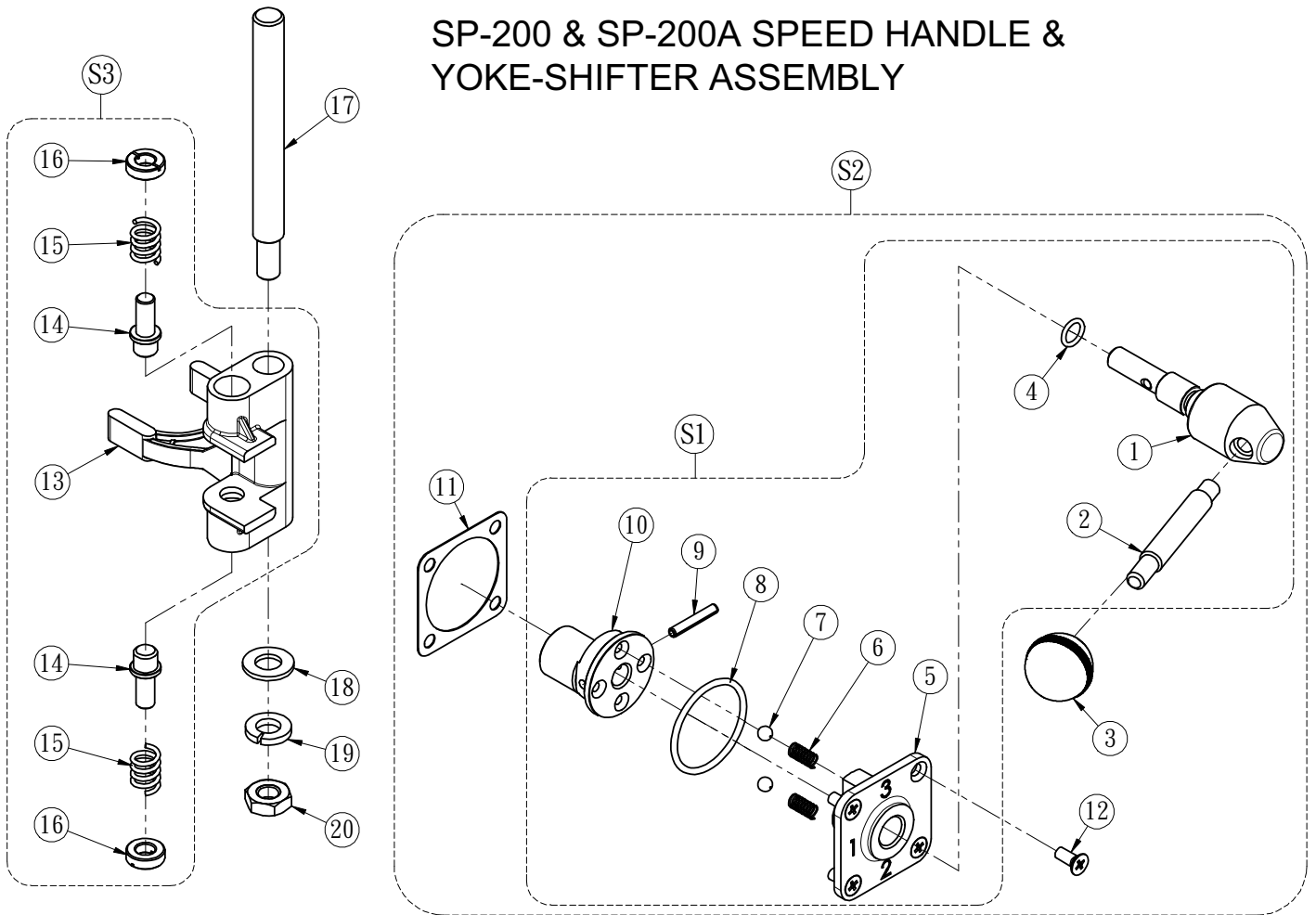
SP-200 & SP-200A GEAR BOX ASSEMBLY

Drive Shaft Assembly



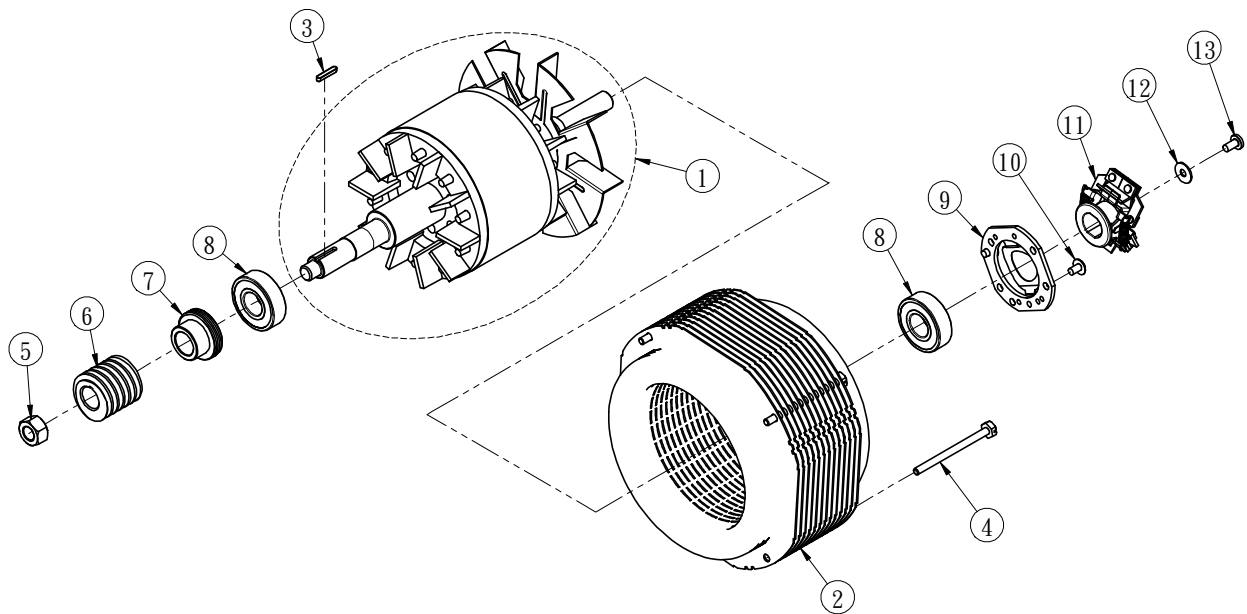
ITEM	PART NO.	Q'ty	REMARK
1	A201-D04-A1	1	
2	A502-6201ZZ	1	
3	200124	1	
4	A402-050518	1	
5	200118	1	50HZ USE
	200118-1	1	60HZ USE
6	STW-19	1	
7	A502-6201	1	

SP-200 & SP-200A SPEED HANDLE & YOKE-SHIFTER ASSEMBLY



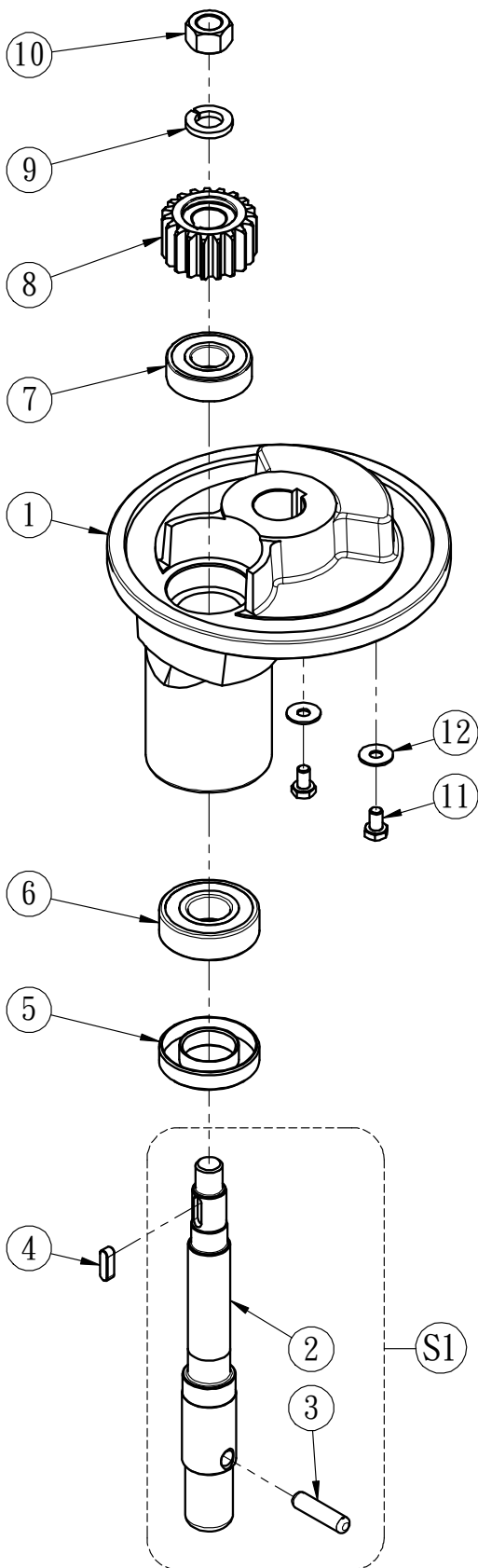
ITEM	PART NO.	Q'ty	REMARK
S1	200047S	1	
1	-	1	ASSEMBLY PART; NO INCLUDE #3, #11 AND #12
2	200045	1	
3	U101-002	1	
4	-	1	
5	-	1	
6	-	2	
7	-	2	
8	-	1	ASSEMBLY PART; INCLUDE #S1,#3, #11 AND #12
9	-	1	
10	-	1	
11	200047-A	1	
12	A107-C0106-A1	4	
S2	200047-AS	1	
S3	200116S	1	
13	-	1	
14	-	2	ASSEMBLY PART
15	-	2	
16	-	2	
17	200112	1	
18	A301-A15-20-1-A1	1	
19	A302-C04-B4	1	
20	A201-C04-A1	1	

SP-200 & SP-200A MOTOR ASSEMBLY



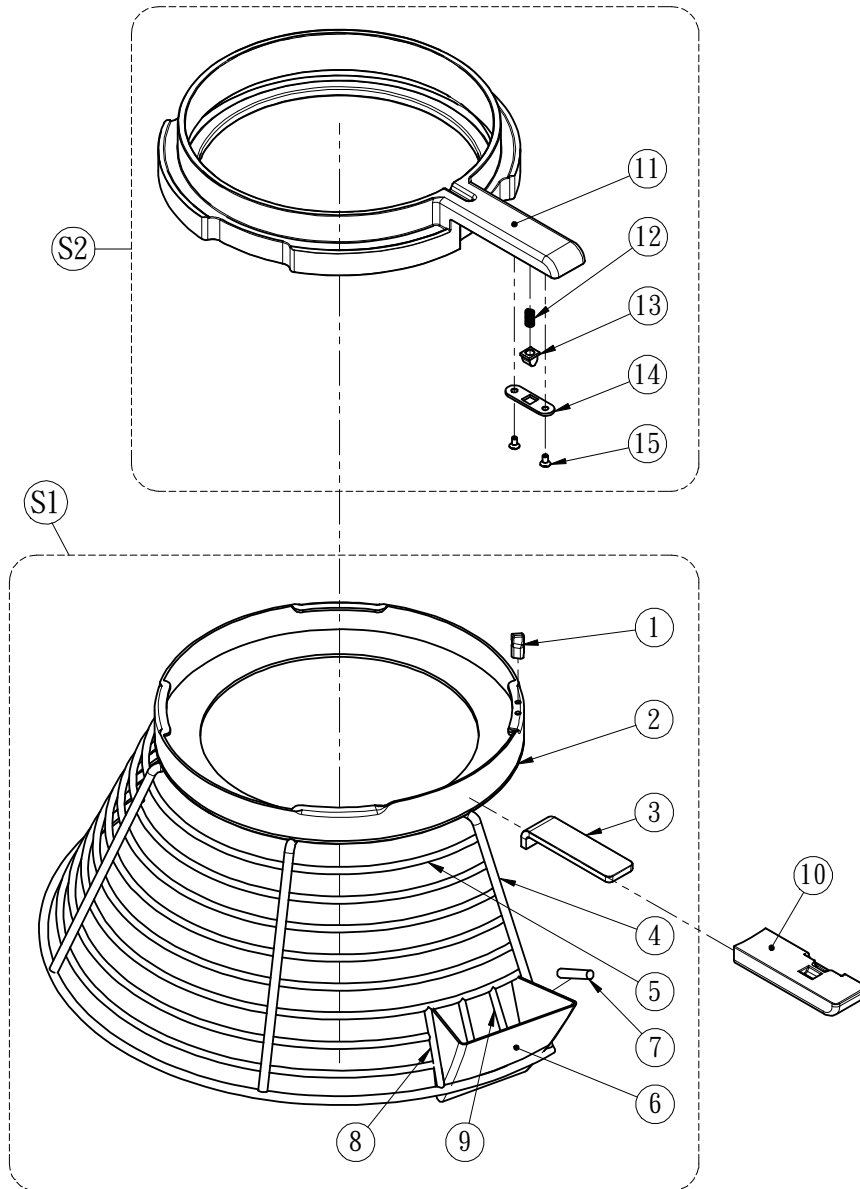
ITEM	PART NO.	Q'ty	REMARK
1	SP-200/61	1	ASSEMBLY PART; PLEASE SPECIFY VOLTAGE WHEN ORDERING
2	SP-200/62	1	PLEASE SPECIFY VOLTAGE WHEN ORDERING
3	-	1	FROM MOTOR SUPPLIER; SPEC (3x3x15 MM)
4	-	4	FROM MOTOR SUPPLIER; SPEC (3/16"x2 3/4"L)
5	SP-200/66	1	
6	200065	1	50HZ USE
	200065-1	1	60HZ USE
7	200060	1	
8	A502-6203ZZ	2	
9	J701-001	1	SINGLE PHASE USE ONLY; PLEASE SPECIFY VOLTAGE WHEN ORDERING
10	-	2	FROM MOTOR SUPPLIER; SPEC (1/4"x5/16"L)
11	J801-13-50	1	50HZ USE; SINGLE PHASE USE ONLY; PLEASE SPECIFY VOLTAGE WHEN ORDERING
	J801-13-60	1	60HZ USE; SINGLE PHASE USE ONLY; PLEASE SPECIFY VOLTAGE WHEN ORDERING
12	-	1	FROM MOTOR SUPPLIER; SPEC (M5)
13	-	1	FROM MOTOR SUPPLIER; SPEC (M5x10L)

SP-200 & SP-200A PLANETARY UNIT



ITEM	PART NO.	Q'ty	REMARK
1	200011	1	
S1	200015S	1	ASSEMBLY PART
2	-	1	
3	22028	1	
4	A402-050517	1	
5	TC-254710	1	
6	A502-6204ZZ	1	
7	A502-6203ZZ	1	
8	200009	1	
9	A302-C06-B4	1	
10	A201-D06-A1	1	
11	A101-A1105-A1	2	
12	A301-A11-16-1-A1	2	

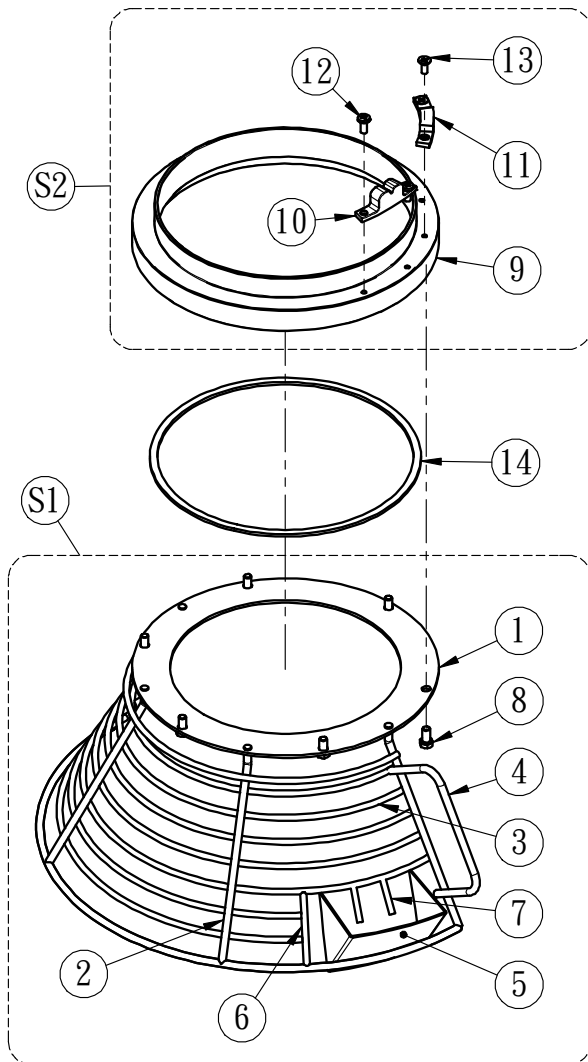
SP-200A REMOVABLE SAFETY GUARD UNIT



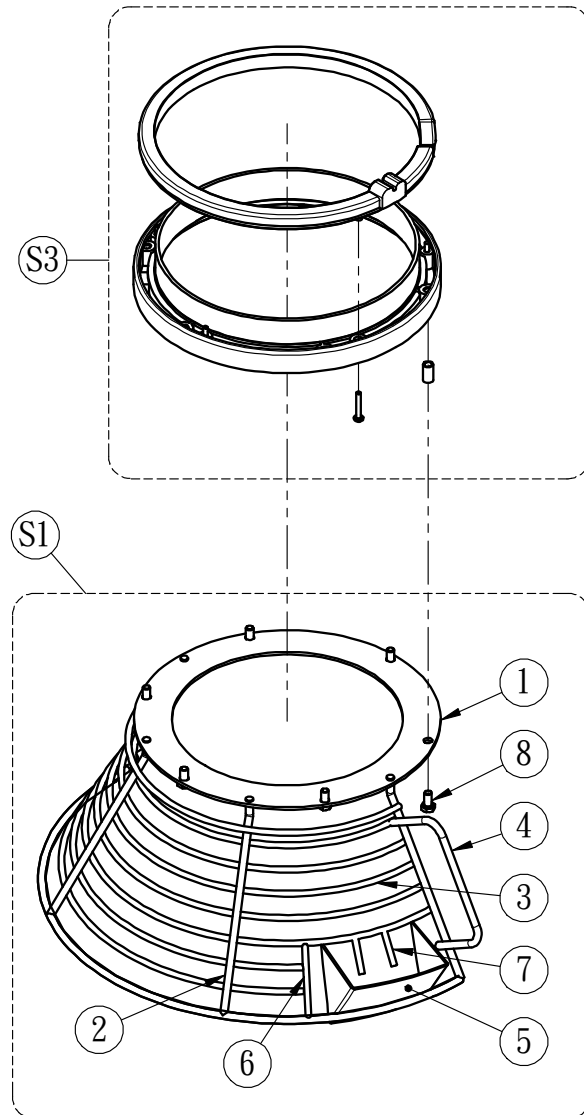
ITEM	PART NO.	Q'ty	REMARK
S1	200508S	1	ASSEMBLY PART; SP-200A USE ONLY
1	-	1	
2	-	1	
3	-	1	
4	-	4	
5	-	1	
6	-	1	
7	-	1	
8	-	1	
9	-	2	
10	200504	1	
S2	200076-2S	1	ASSEMBLY PART; SP-200A USE ONLY
11	-	1	
12	200501	1	
13	200058-1	1	
14	200502	1	
15	200503	2	

SP-200 SAFETY GUARD UNIT- FIXED TYPE

Metal Slide Sheath



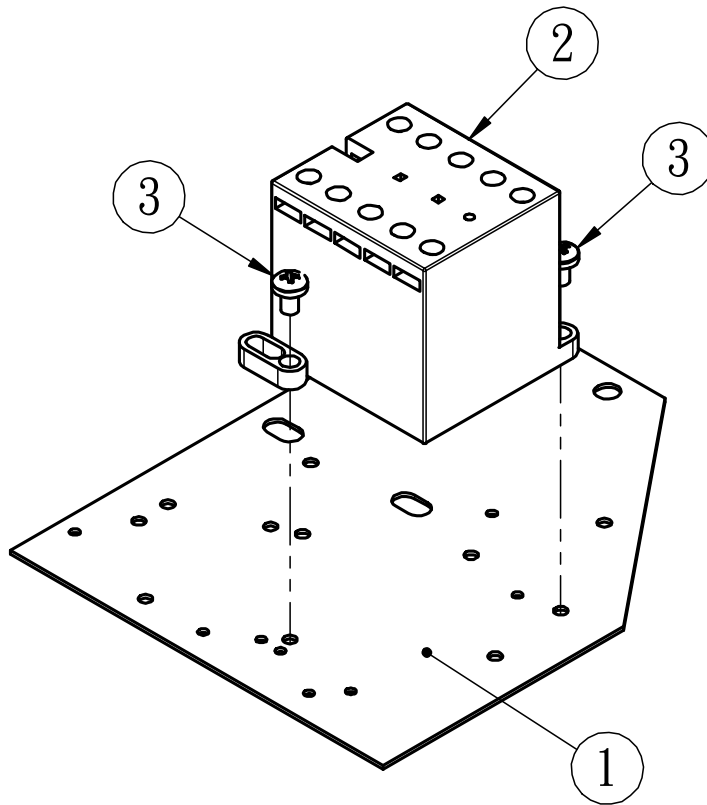
Plastic Slide Sheath



ITEM	PART NO.	Q'ty	REMARK
S1	200081S	1	ASSEMBLY PART; SP-200 USE ONLY
1	-	1	
2	-	4	
3	-	1	
4	-	1	
5	-	1	
6	-	1	
7	-	2	
8	A101-A1005-DB/G1	6	
S2	200076-1S	1	METAL ONE; ASSEMBLY PART
9	-	1	
10	22156	1	
11	200041	1	
12	A105-A0805-D	2	
13	A107-A0805-D	2	
14	200077	1	MUST USE WITH 200076-1S
S3	200076	1	PLASTIC ONE; ASSEMBLY PART

SP-200 & SP-200A ELECTRONIC PART ASSEMBLY

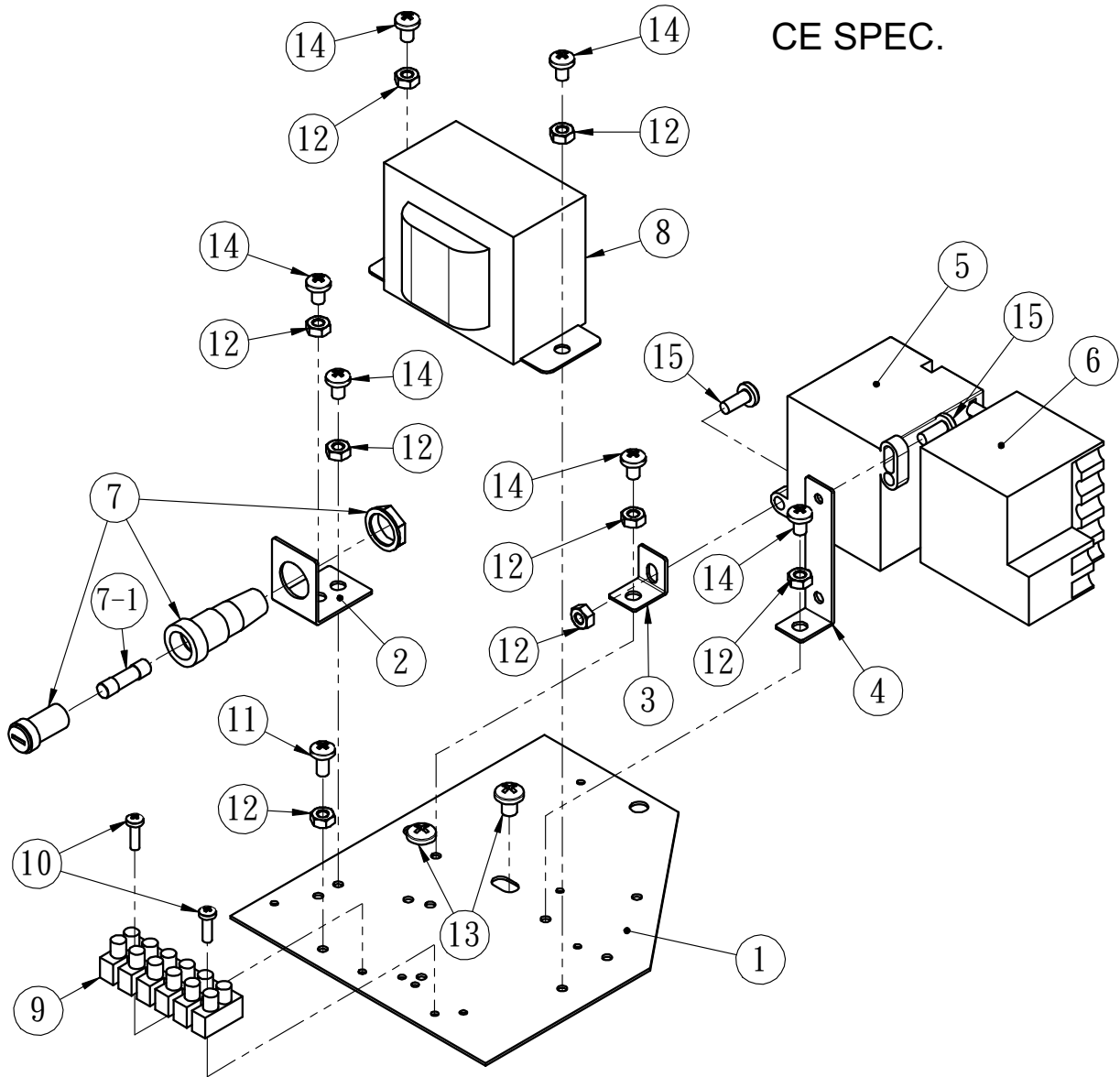
ETL SPEC.



ITEM	PART NO.	Q'ty	REMARK
1	2000B1	1	
2	SP-200/28	1	PLEASE SPECIFY VOLTAGE WHEN ORDERING
3	A105-A0803-A1	2	

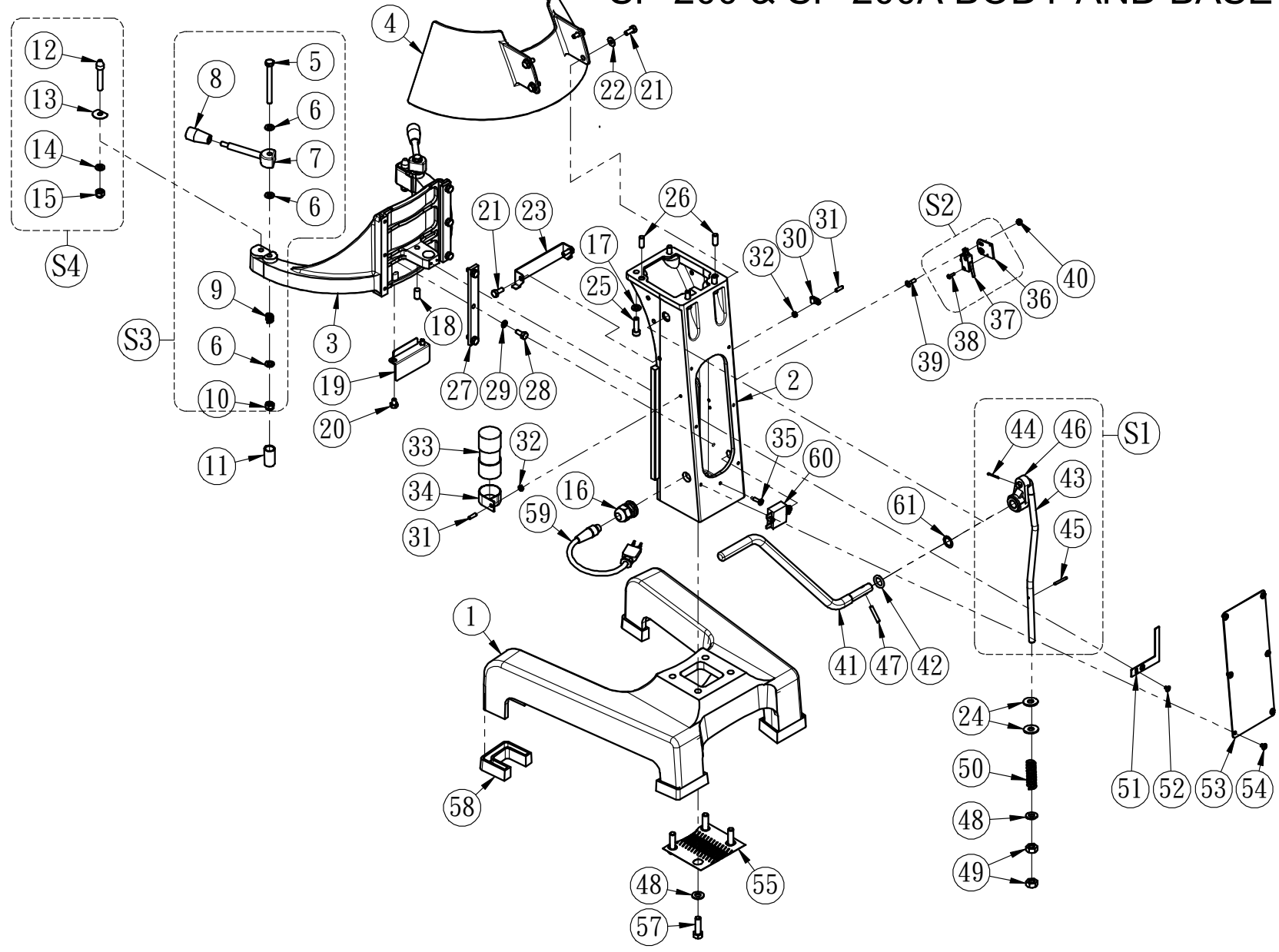
SP-200 & SP-200A ELECTRONIC PART ASSEMBLY

CE SPEC.



ITEM	PART NO.	Q'ty	REMARK
1	2000B1	1	
2	2000B2	1	
3	2000B3	1	
4	2000B4	1	
5	SP-200/28	1	PLEASE SPECIFY VOLTAGE WHEN ORDERING
6	SP-200/135	1	PLEASE SPECIFY VOLTAGE WHEN ORDERING
7	L302-6.3-250	1	
7-1	L301-A-1-250	1	
8	SP-200/134	1	
9	-	1	PLEASE SPECIFY VOLTAGE WHEN ORDERING
10	A105-A0605-A1	2	
11	A105-A0804-A1	1	
12	A201-A08-A1	8	
13	A106-C0102-A1	2	
14	A105-A0803-A1	6	
15	A105-A0805-A1	2	

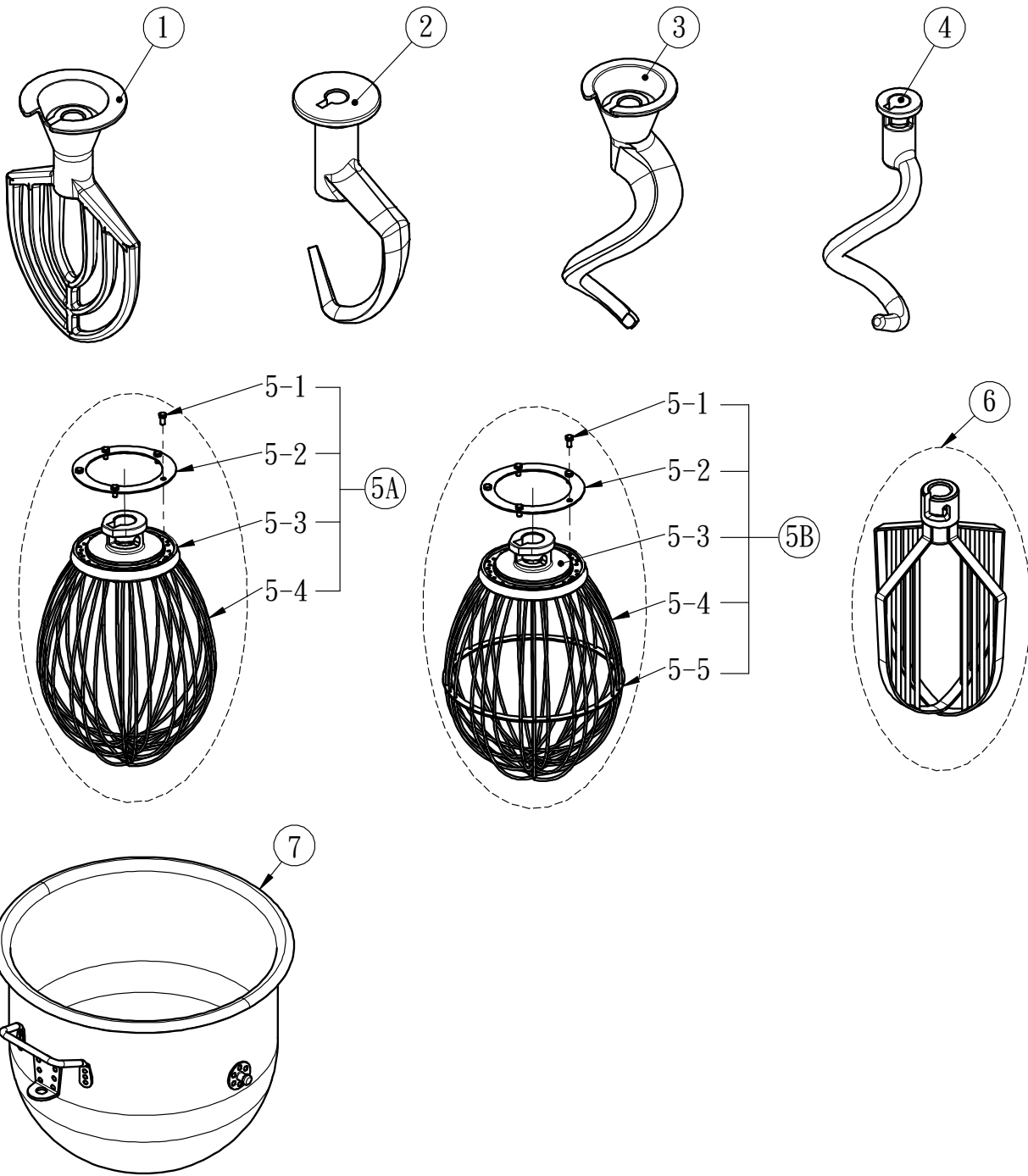
SP-200 & SP-200A BODY AND BASE UNIT



SP-200 & SP-200A BODY AND BASE UNIT

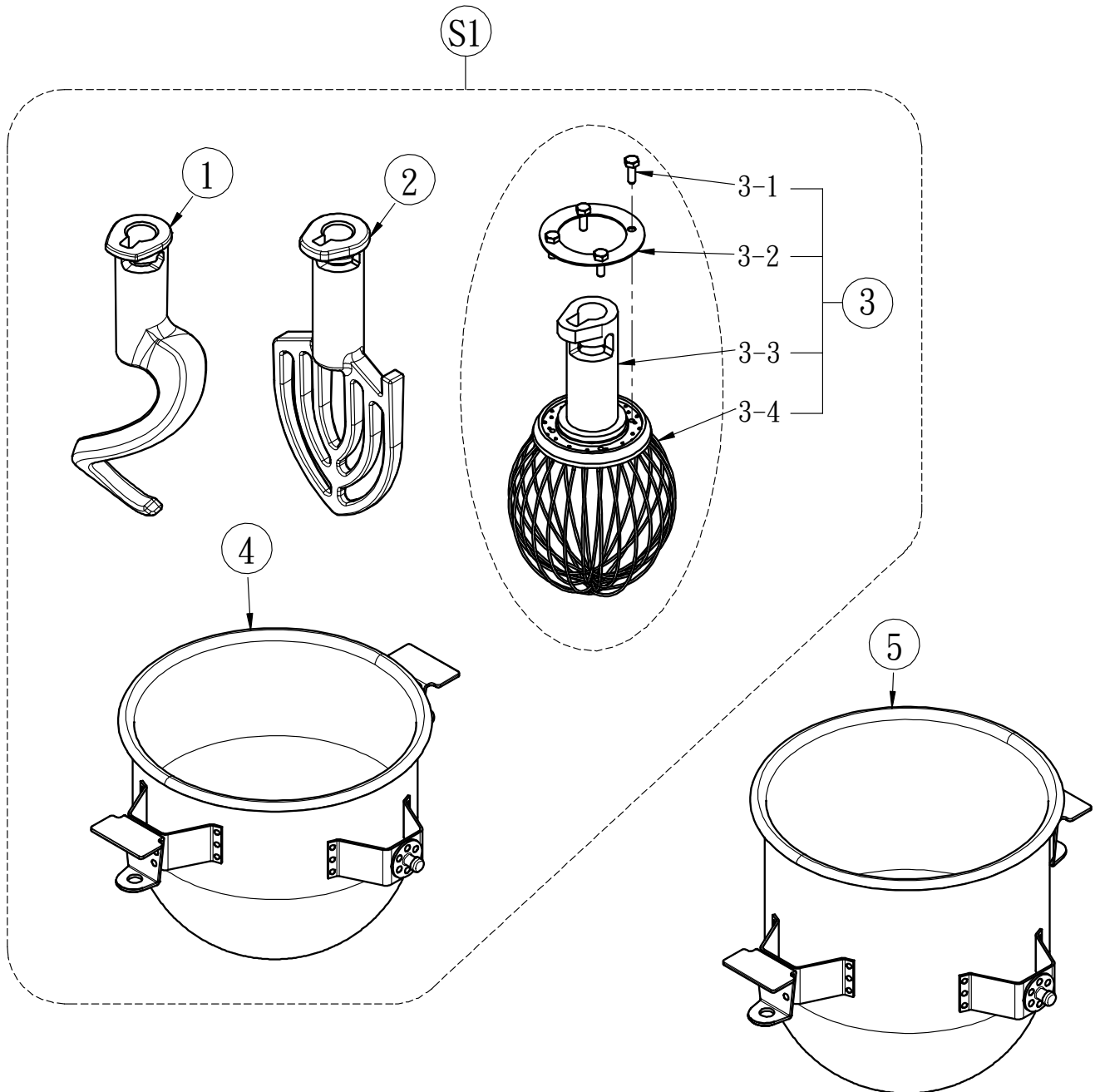
ITEM	PART NO.	Q'ty	REMARK
1	200024	1	
2	200035	1	
3	200021	1	
4	200023	1	
S3	RC033S	2	ASSEMBLY PART
5	A101-A1320-A1	2	
6	A301-A13-12-1-A1	6	
7	RC033	2	
8	RC033-1	2	
9	200146	2	
10	A202-A13080-A1	2	
11	200155	2	
S4	200087S	2	ASSEMBLY PART
12	200087	2	
13	200087-1	2	
14	A302-A13-A1	2	
15	A204-A13-A1	2	
16	T102-007	1	
17	A302-C03-B4	4	
18	A103-C0408-C4	1	
19	200143-A	1	
20	A101-C0204-A1	2	
21	A101-C0207-D	6	
22	A301-A11-16-1-D	4	
23	200035-A	1	
24	A301-A15-25-1-A1	2	
25	A102-C0310-C4	4	
26	200035-1	2	
27	200022	2	
28	A101-C0207-A1	6	
29	A302-C02-B4	6	
30	T201-090	1	
31	A103-C0107-C4	2	
32	A201-C01-A5	2	
33	K201-300/250	1	SINGLE PHASE VOLTAGE USE ONLY; PLEASE SPECIFY
34	-	1	FROM MOTOR SUPPLIER
35	A106-C0107-D	1	
S2	SM200-89S	1	ASSEMBLY PART
36	SM200-89	1	
37	J404-001	1	
38	A105-A0606-A1	2	
39	A106-C0107-A1	2	
40	A204-C01-D	2	
41	200040	1	
42	A601-015-01	1	
S1	200037S	1	ASSEMBLY PART
43	200037	1	
44	200038	1	
45	A902-03030	1	
46	A903-001	1	
47	200039	1	
48	A301-A15-20-1-A1	5	
49	A201-A15-A1	2	
50	100033	1	
51	2000A2	1	
52	A106-A0803-A1	2	
53	2000A1	1	
54	A106-C0102-D	6	
55	200031	1	
56	-	-	
57	A101-C0411-A1	4	
58	200138	1	FOUR PIECE AS ONE SET
59	-	1	SPECIFICATION IS DIFFERENT SUBJECT TO COUNTRY
60	SP-200/27	1	ETL SPEC. USE; PLEASE SPECIFY VOLTAGE WHEN ORDERING
61	200038-1	1	

SP-200 & SP-200A ACCESSORY LIST



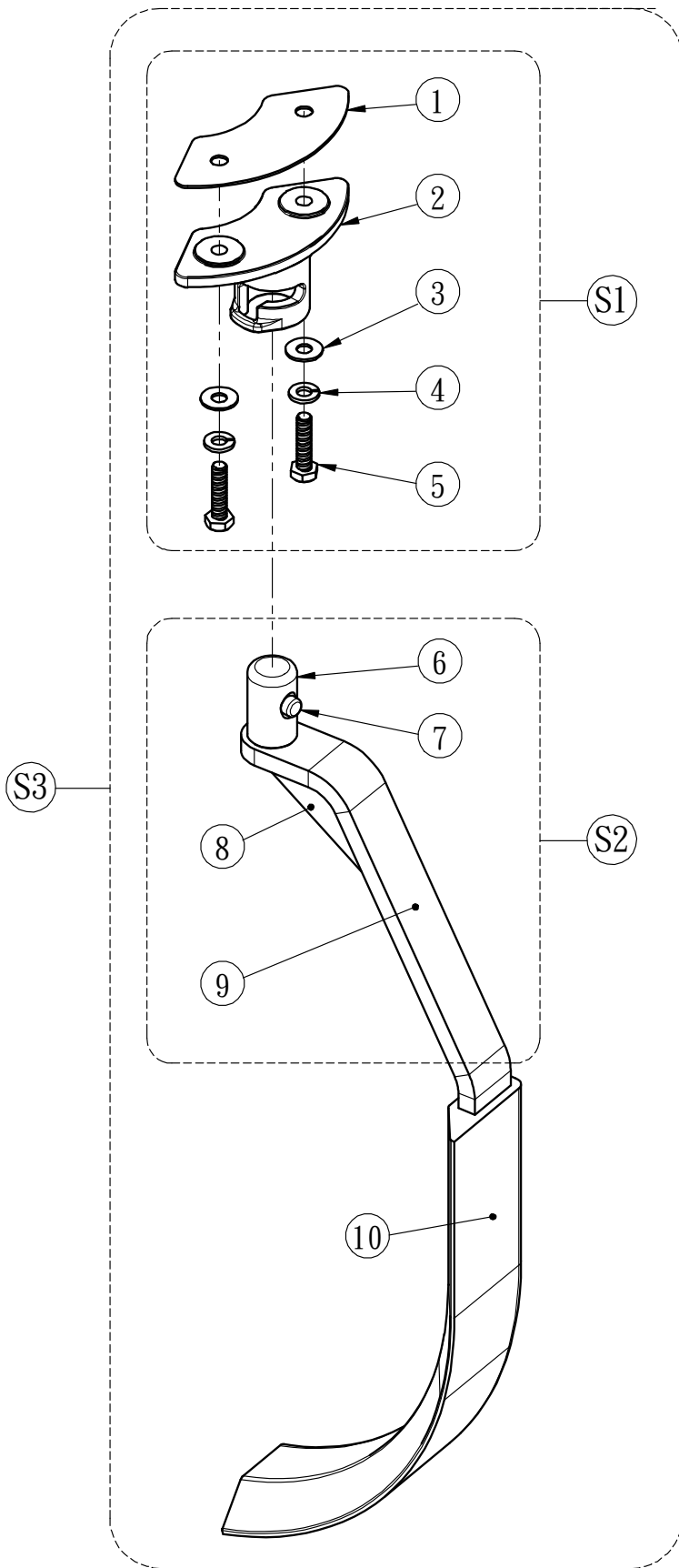
ITEM	PART NO.	DESCRIPTION	Q'ty	REMARK
1	200017	FLAT BEATER- ALUMINUM	1	STANDRD ACCESSORY
	200017-1	FLAT BEATER- STAINLESS STEEL	1	OPTIONAL ACCESSORY
2	7MX014	J TYPE DOUGH HOOK- ALUMINUM	1	OPTIONAL ACCESSORY
3	200016	SPIRAL DOUGH HOOK- ALUMINUM	1	STANDRD ACCESSORY
4	200016-1	DOUGH HOOK- STAINLESS STEEL	1	OPTIONAL ACCESSORY
5A	200018S	S/S WHIP	1	STANDRD ACCESSORY- ASSEMBLY PART
5B	200018-1S	HEAVY DUTY S/S WHIP	1	OPTIONAL ACCESSORY - ASSEMBLY PART
	5-1	A101-C0106-D SCREW	5	
	5-2	200018-E COVER	1	
	5-3	-	-	
	5-4	-	-	
	5-5	-	-	
6	200518	C-WING HEAVY DUTY WHIP	1	OPTIONAL ACCESSORY
7	200019	BOWL	1	

SP-200 & SP-200A 10QT REDUCTION KIT OPTIONAL ACCESSORY



ITEM	PART NO.	DESCRIPTION	Q'ty	REMARK
1	10QT-H-2	SPIRAL DOUGH HOOK- ALUMINUM	1	
2	10QT-B	FLAT BEATER- ALUMINUM	1	
3	10QT-WS	S/S WHIP	1	ASSEMBLY PART
3-1	A101-C0108-D	SCREW	4	
3-2	100018-E	COVER	1	
3-3	-		-	
3-4	-		-	
4	10QT-7MX	10QT REDUCTION BOWL	1	STANDARD
5	10QT-7MXL	12QT REDUCTION BOWL	1	OPTIONAL ACCESSORY
S1	10/20ACC	10QT REDUCTION KIT	1	INCLUDE BOWL AND TOOLS

SP-200 & SP-200A BOWL SCRAPER OPTIONAL ACCESSORY



ITEM	PART NO.	Q'ty	REMARK
S1	200520S	1	ASSEMBLY PART
1	200519	1	
2	200520	1	
3	A301-A11-19-2-D	2	
4	A302-A11-D	2	
5	A101-A1110-D	2	
S2	200524S	1	ASSEMBLY PART
6	200521	1	
7	200522	1	
8	200523	1	
9	200524	1	
10	200525	1	
S3	200/SCRP	1	INCLUDE S1, S2 AND #10 AS ONE SET