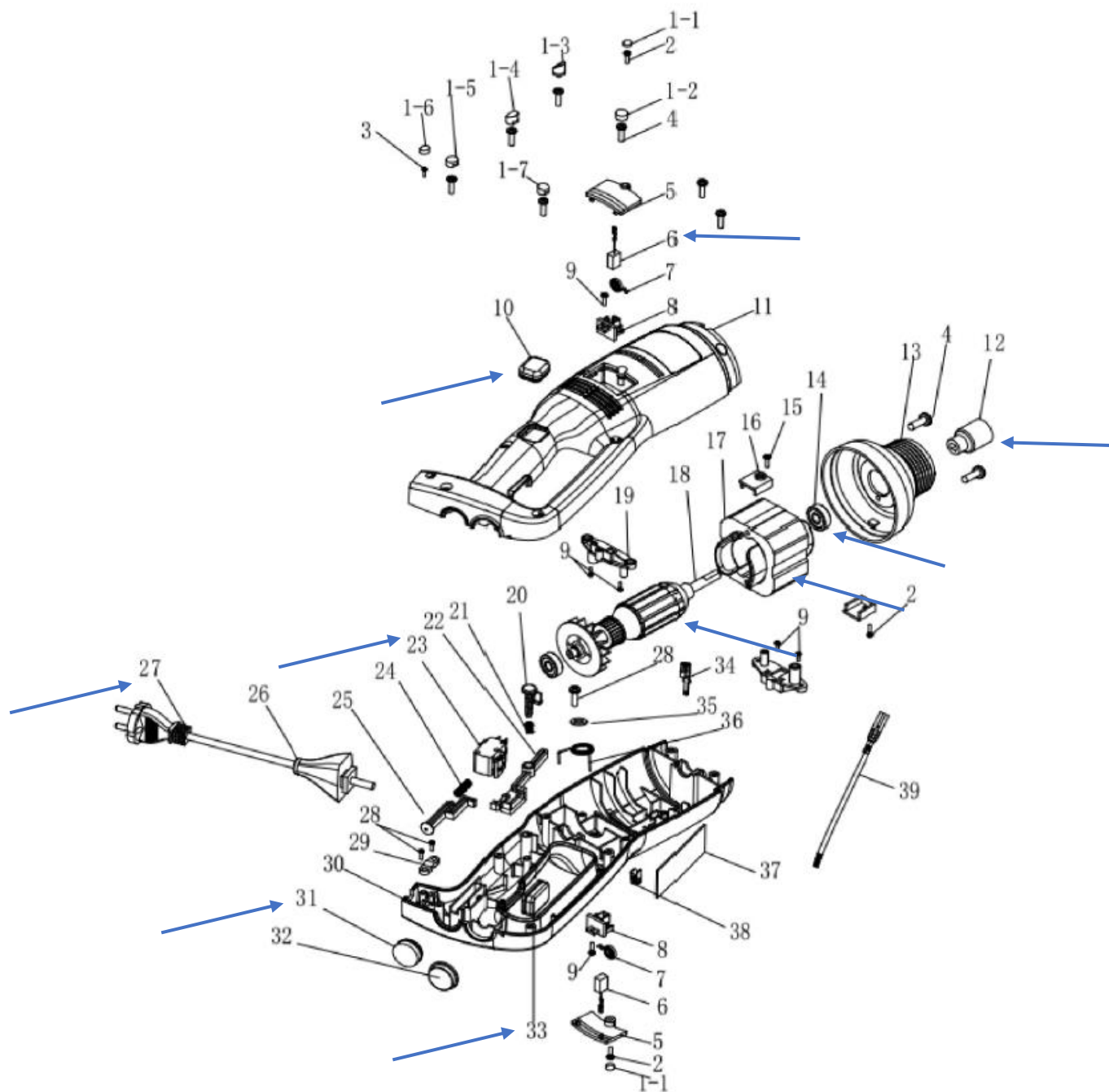
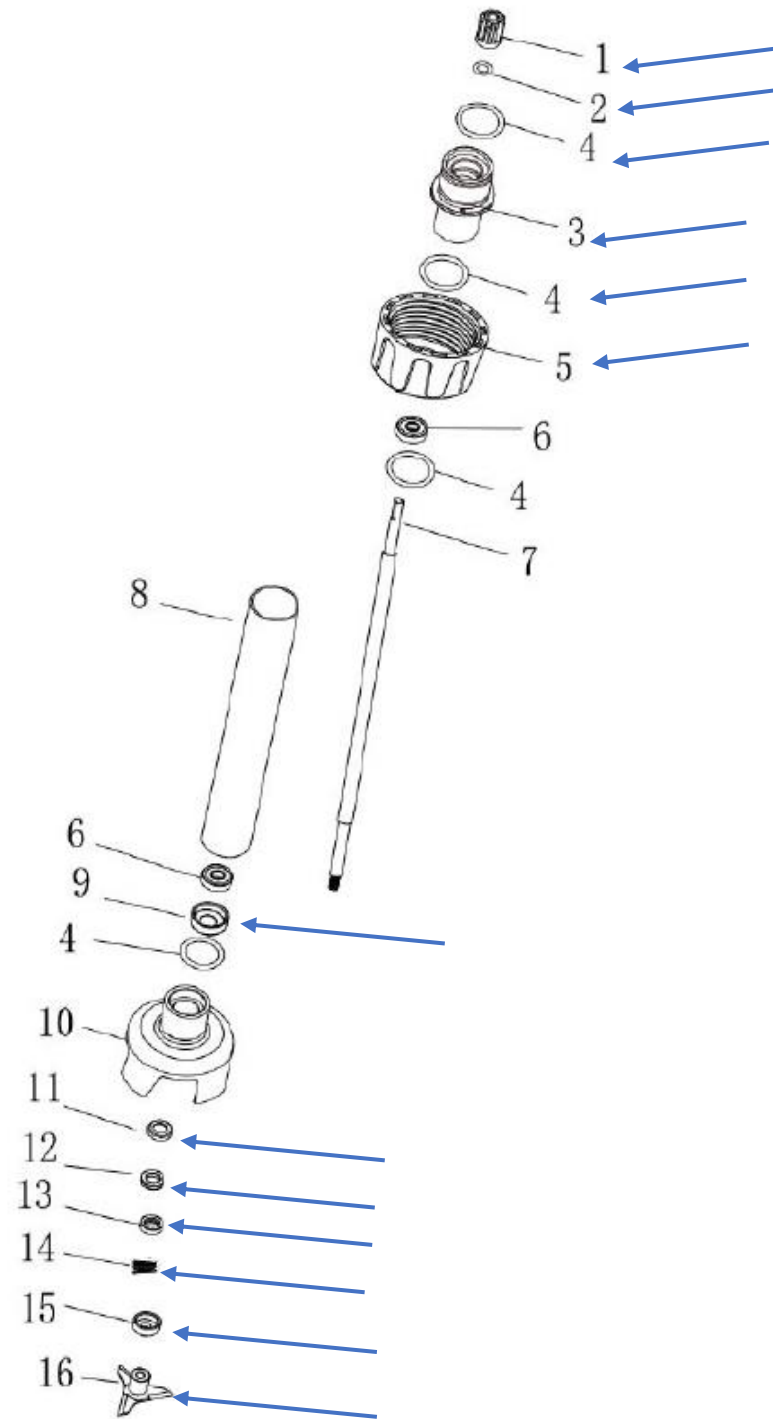


Детализировка VL350V. Для проверки наличия и цены запчасти нажмите на стрелку

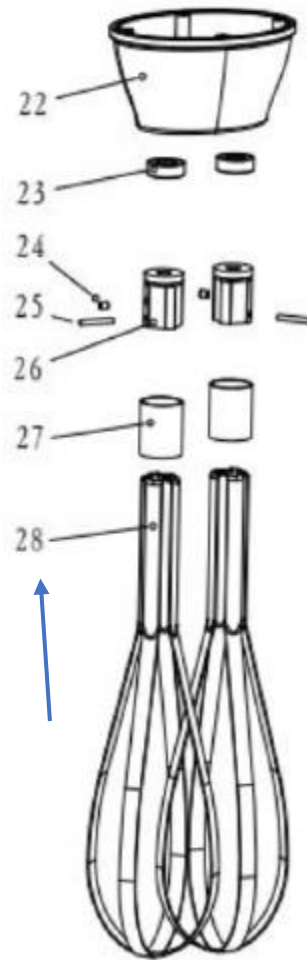
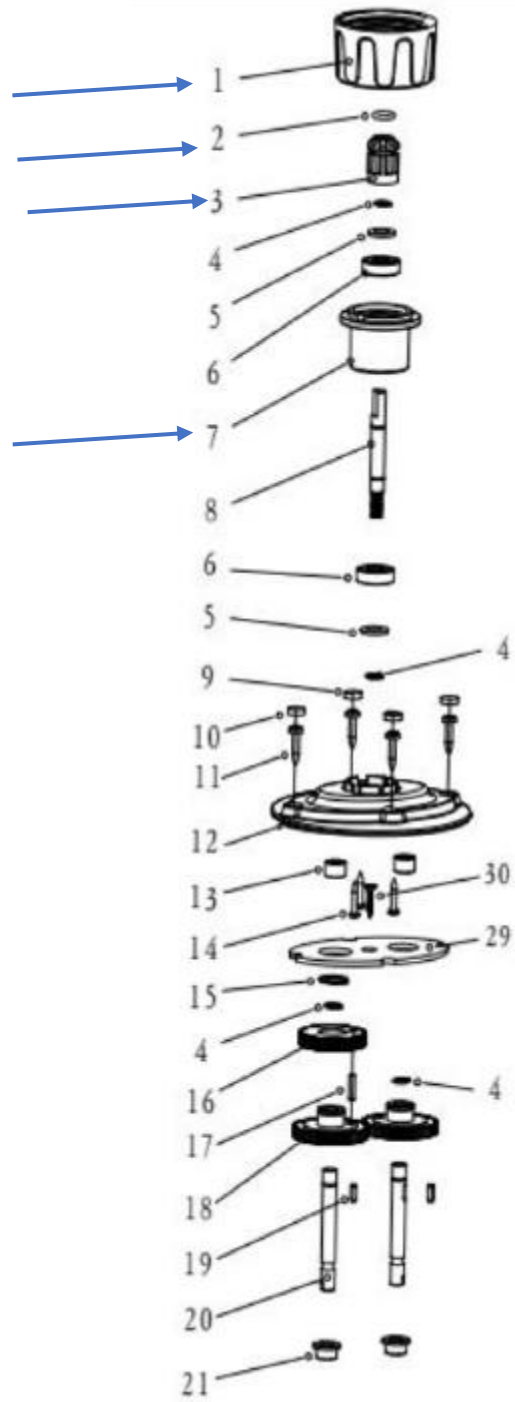


Part No.	Part Name – <b>Нажмите на название для проверки наличия</b>
1-1	Screw plunger 1
1-2	Screw plunger 2
1-3	Screw plunger 3
1-4	Screw plunger 4
1-5	Screw plunger 5
1-6	Screw plunger 6
2	3*10 CB Screw
3	3*15 CB Screw
4	M4*1 Screw
5	Brush cover
<a href="#">6</a>	<a href="#">Brush</a>
7	3246 Brush cylinder spring
8	Brush rack
9	3*12 CB Screw
<a href="#">10</a>	<a href="#">Rubber interlocking protection</a>
11	Left housing
30	Right housing
<a href="#">12</a>	<a href="#">Spline sleeve</a>
13	Aluminium head
<a href="#">14</a>	<a href="#">608 Bearing</a>
15	Motor fixed board Screw
16	Motor fixed board
17	IB500W Stator
18	IB500W Rotor
19	Brush fixed rack
20	Interlocking push bolt
21	Interlocking push bolt spring
22	Switch osculant staff

<a href="#">23</a>	<a href="#">Switch</a>
24	Push bolt spring
25	Push bolt
26	Cable sheath
<a href="#">27</a>	<a href="#">Power cord with tail</a>
28	Pressing board screw
29	Pressing board
<a href="#">31</a>	<a href="#">Rubber push sheath</a>
32	Speed control key
<a href="#">33</a>	<a href="#">Switch sheath</a>
34	Male plug
<a href="#">35</a>	<a href="#">Speed control board</a>
36	Switch osculant staff spring
<a href="#">37</a>	<a href="#">Speed control board</a>
38	Female plug
39	Lead wire of female plug



Part No.	Part Name – <b>Нажмите на название для проверки наличия</b>
<a href="#">1</a>	<a href="#">Spline sleeve</a>
<a href="#">2</a>	<a href="#">Spline sleeve seal ring</a>
<a href="#">3</a>	<a href="#">Connect sleeve</a>
<a href="#">4</a>	<a href="#">Connect sleeve seal ring</a>
<a href="#">5</a>	<a href="#">Fastening sleeve</a>
6	608 bearing
7	Output axis
8	304 S/S tube
<a href="#">9</a>	<a href="#">Bearing sleeve</a>
10	Knife protection
<a href="#">11</a>	<a href="#">Ceramic ring sleeve</a>
<a href="#">12</a>	<a href="#">Ceramic ring</a>
<a href="#">13</a>	<a href="#">Graphite ring</a>
<a href="#">14</a>	<a href="#">Graphite ring spring</a>
<a href="#">15</a>	<a href="#">Convex ring</a>
<a href="#">16</a>	<a href="#">Blade</a>



Part No.	Part Name – <b>Нажмите на название для проверки наличия</b>
<a href="#">1</a>	<a href="#">Fastening sleeve</a>
<a href="#">2</a>	<a href="#">Spline sleeve seal ring</a>
<a href="#">3</a>	<a href="#">Spline sleeve</a>
4	Φ8 Snap ring
5	Oil sealing
6	Bearing
<a href="#">7</a>	<a href="#">Connect sleeve</a>
8	Helical gear bearing
9	Screw plunger 2
10	Screw plunger 1
11	Housing screw
12	Upper cover
13	Needle bearing
14	Screw
15	Φ16 Snap ring
16	Helical gear bearing
17	Cylindrical pin
18	Straight gear
19	Key
20	Output axis
21	Shaft sleeve
22	Lower cover
23	Oil sealing
24	M 4x4 Screw
25	Cylindrical pin
26	Fixed board
27	Steel ring
<a href="#">28</a>	<a href="#">Steel bar</a>

29	Baffle plate
30	Screw