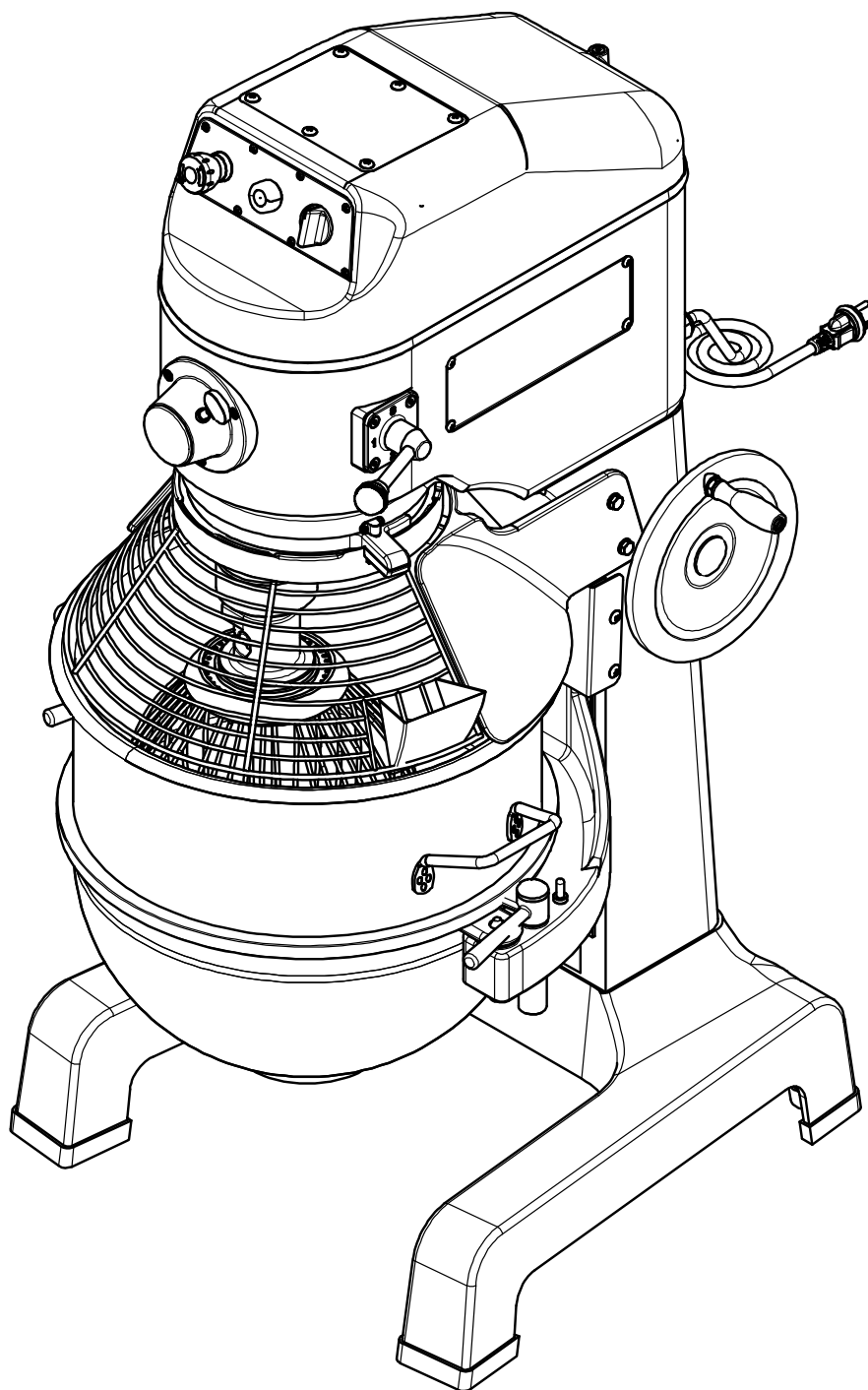
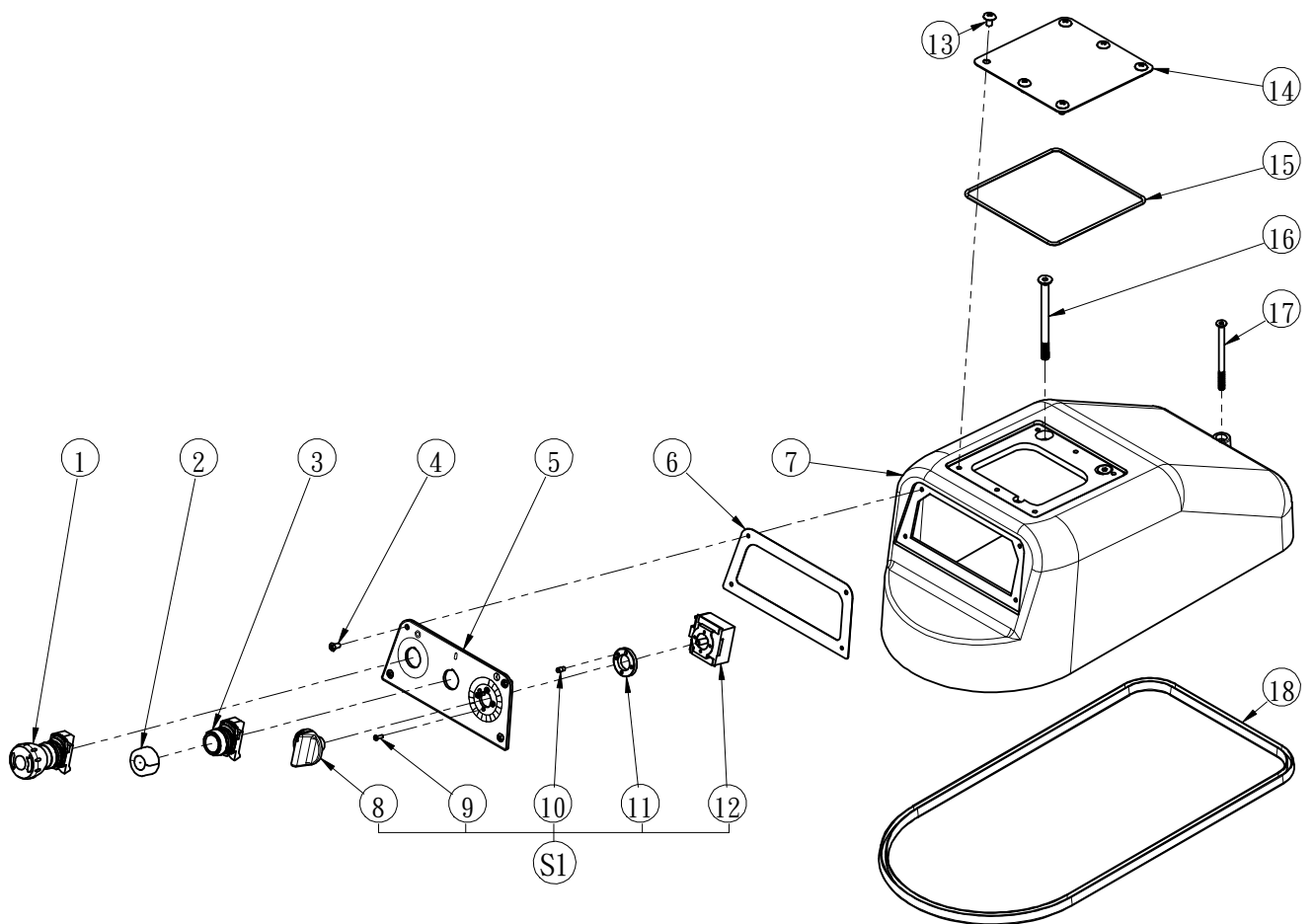


Model SP-60HA & SP-60HI



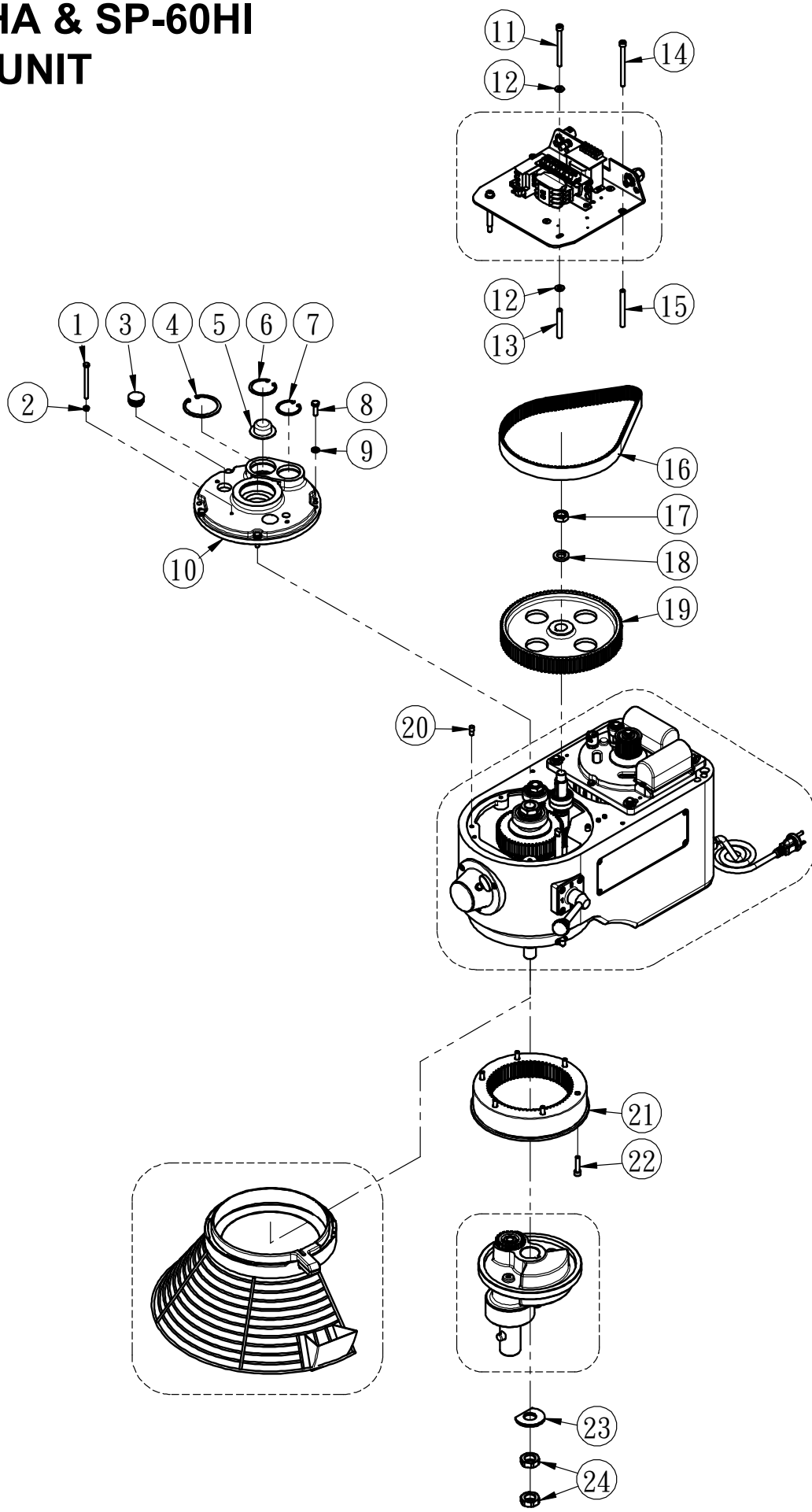
2016 Version

SP-60HA & SP-60HI TOP COVER UNIT



ITEM	PART NO.	Q'ty	REMARK
1	J101-001	1	
2	200517	1	
3	J201-001	1	WITH LIGHT
	J202-001	1	WITHOUT LIGHT
4	30515	4	
5	PL02-B56	1	WITH SPAR LOGO
6	40005-A	1	
7	40004	1	
S1	22008	1	ASSEMBLY PART
8	22008-2	1	
9	A104-A0605-A2/G1	4	
10	22008-3	1	
11	22008-1	1	
12	J301-001	1	
13	A106-A1105-D	6	
14	40002	1	
15	40003	1	
16	A108-A1332-C4	2	
17	A108-A1121-C4	1	
18	22004-2	1	PLEASE SPECIFY MODEL WHEN ORDERING

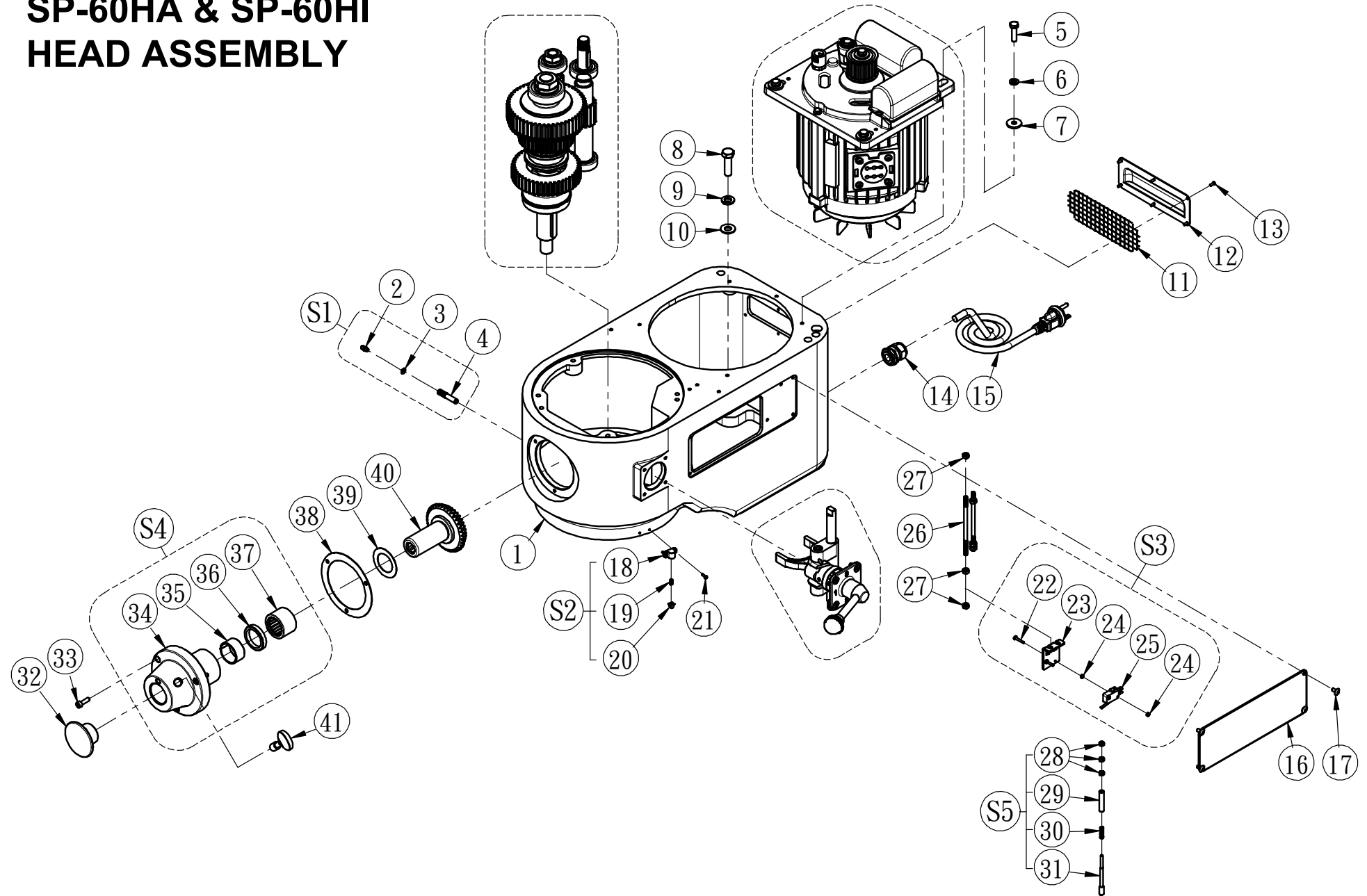
SP-60HA & SP-60HI HEAD UNIT



SP-60HA & SP-60HI HEAD UNIT- PARTS TABLE

ITEM	PART NO.	Q'ty	REMARK
1	A101-A1120-A1	1	NO ATTACHMENT HUB USE
2	A201-A11-A1	1	
3	T901-001	2	
4	RTW-72	1	
5	60079-1	1	
6	RTW-52	1	
7	RTW-47	1	
8	A101-A1310-A1	4	
9	A302-A13-B4	4	
10	60077	1	
11	A102-A1321-C4	2	
12	A301-A13-18-1-A1	4	
13	30153	2	
14	A102-A1322-C4	2	
15	40085	2	
16	50072	1	50HZ USE
	60072	1	60HZ USE
17	A201-B33T100-A1	1	
18	A302-A20-B4	1	
19	60080	1	
20	30077-1	2	
21	60092	1	
22	A102-A1312-C4	6	
23	60130-1	1	
24	60130-4	2	

SP-60HA & SP-60HI HEAD ASSEMBLY

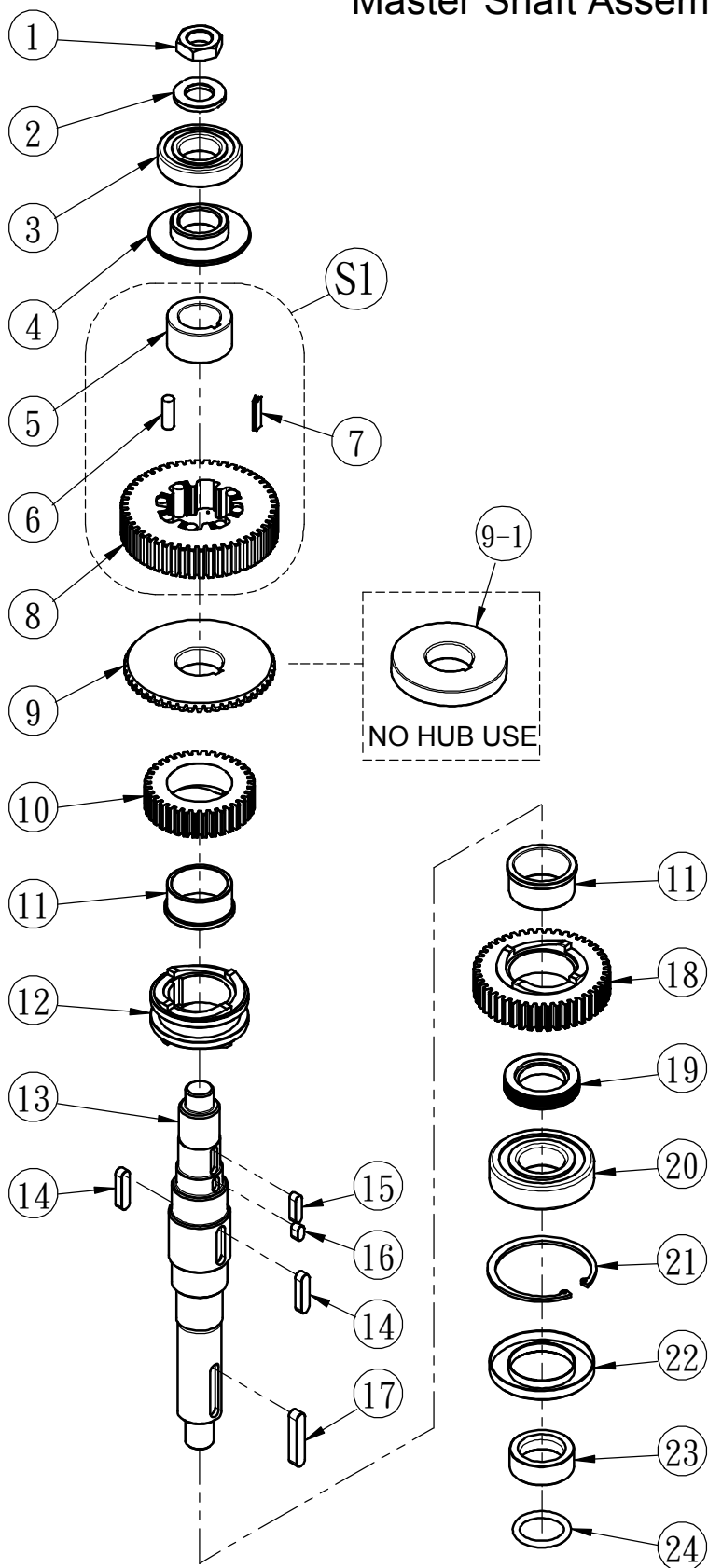


SP-60HA & SP-60HI HEAD ASSEMBLY- PARTS TABLE

ITEM	PART NO.	Q'ty	REMARK
1	60087-2	1	SP-60HA USE ONLY; WITH ATTACHMENT HUB
	60087-3	1	SP-60A USE ONLY; WITHOUT ATTACHMENT HUB
	60087	1	SP-60HI USE ONLY; WITH ATTACHMENT HUB
	60087-1	1	SP-60I USE ONLY; WITHOUT ATTACHMENT HUB
S1	30165S	1	ASSEMBLY PART
2	200142	1	
3	200141	1	
4	30165	1	
5	A101-A1311-A1	4	
6	A302-A13-B4	4	
7	A301-A13-25-2-A1	4	
8	A101-A1713-A1	4	
9	A302-A17-B4	4	
10	A301-A17-25-1-A1	4	
11	60HI76	1	
12	30076	1	
13	A701-32102	6	
14	T102-004	1	
15	-	1	PLEASE SPECIFY VOLTAGE WHEN ORDERING
16	PL01-B300	1	ENGLISH LANGUAGE
17	A106-A1005-D	4	
S2	200075	1	ASSEMBLY PART
18	-	1	
19	-	1	
20	-	1	
21	A106-A0604-D	2	
S3	200058S	1	ASSEMBLY PART
22	A105-A0609-A1	2	
23	200058	1	
24	A201-A06-A1	4	
25	J404-001	1	
26	40088	2	
27	A201-A11-A1	6	
S5	30096S	1	METAL ONE; ASSEMBLY PART
	30096-1S	1	PLASTIC ONE; ASSEMBLY PART
28	A201-A10-A1	3	INCLUDED WITH ASSEMBLY S5
29	22091-1	1	INCLUDED WITH ASSEMBLY S5
30	200044	1	INCLUDED WITH ASSEMBLY S5
31	30096	1	METAL ONE; INCLUDED WITH ASSEMBLY S5
	30096-1	1	PLASTIC ONE; INCLUDED WITH ASSEMBLY S5
32	22017	1	ATTACHMENT HUB USE ONLY
33	A102-A1109-C4	3	ATTACHMENT HUB USE ONLY
S4	40017S	1	ASSEMBLY PART; ATTACHMENT HUB USE ONLY
34	40017	1	
35	A501-035020	1	
36	TC-354508	1	
37	A503-TA3530	1	
38	40017-A	1	ATTACHMENT HUB USE ONLY
39	30014-A	1	ATTACHMENT HUB USE ONLY
40	40014	1	ATTACHMENT HUB USE ONLY
41	200005	1	ATTACHMENT HUB USE ONLY

SP-60HA & SP-60HI GEAR BOX ASSEMBLY

Master Shaft Assembly

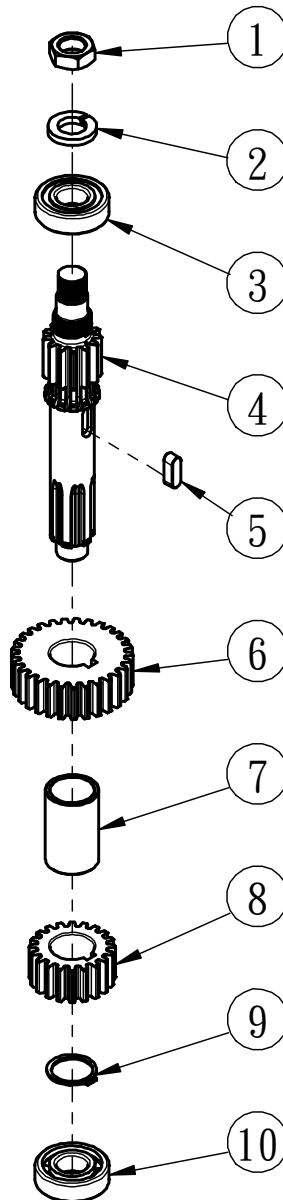


SP-60HA & SP-60HI GEAR BOX ASSEMBLY PARTS TABLE

ITEM	PART NO.	Q'ty	REMARK
1	A201-B42T120-A1	1	
2	60130-3	1	
3	A502-6207LLU	1	
4	60113	1	
S1	60114S	1	ASSEMBLY PART
5	60114	1	
6	40115	8	
7	40116	8	
8	40117	1	
9	60118	1	WITH ATTACHMENT HUB USE
9-1	60118-1	1	NO ATTACHMENT HUB USE
10	60120	1	STANDARD- 36T TOOTH
	60M078	1	CUSTOMIZED FOR U.S.A- 34T TOOTH
11	60123	2	
12	60133	1	
13	60130	1	
14	A402-100840	2	
15	A402-080828/G1	1	
16	A402-080815	1	
17	A402-101055	1	
18	60122	1	
19	60124	1	
20	A502-6308LLU	1	
21	RTW-90	1	
22	TC-559010	1	
23	60127	1	
24	A601-038-02	1	

SP-60HA & SP-60HI GEAR BOX ASSEMBLY

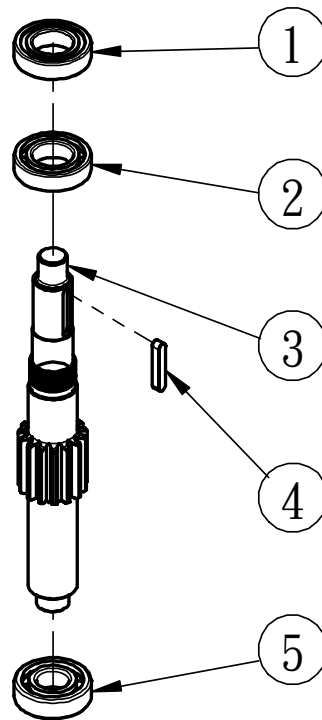
Transmission Shaft Assembly



ITEM	PART NO.	Q'ty	REMARK
1	A201-B33T100-A1	1	
2	A302-A20-B4	1	
3	A502-6205LLU	1	
4	60150	1	
5	A402-080823	1	
6	40148	1	STANDARD- 29T TOOTH
	40M106	1	CUSTOMIZED FOR U.S.A- 31T TOOTH
7	40144	1	
8	60143	1	
9	STW-28	1	
10	A502-6205	1	

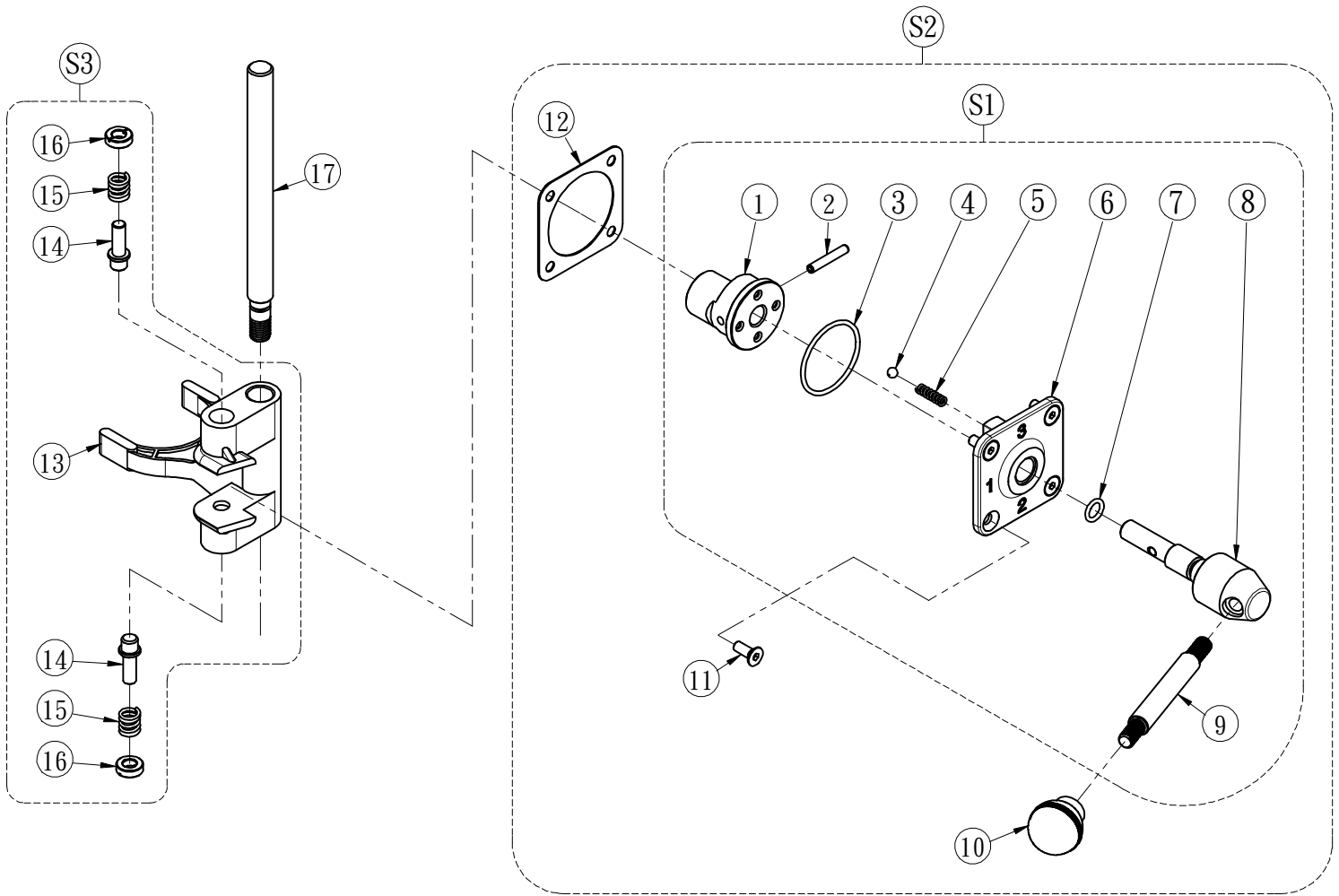
SP-60HA & SP-60HI GEAR BOX ASSEMBLY

Drive Shaft Assembly



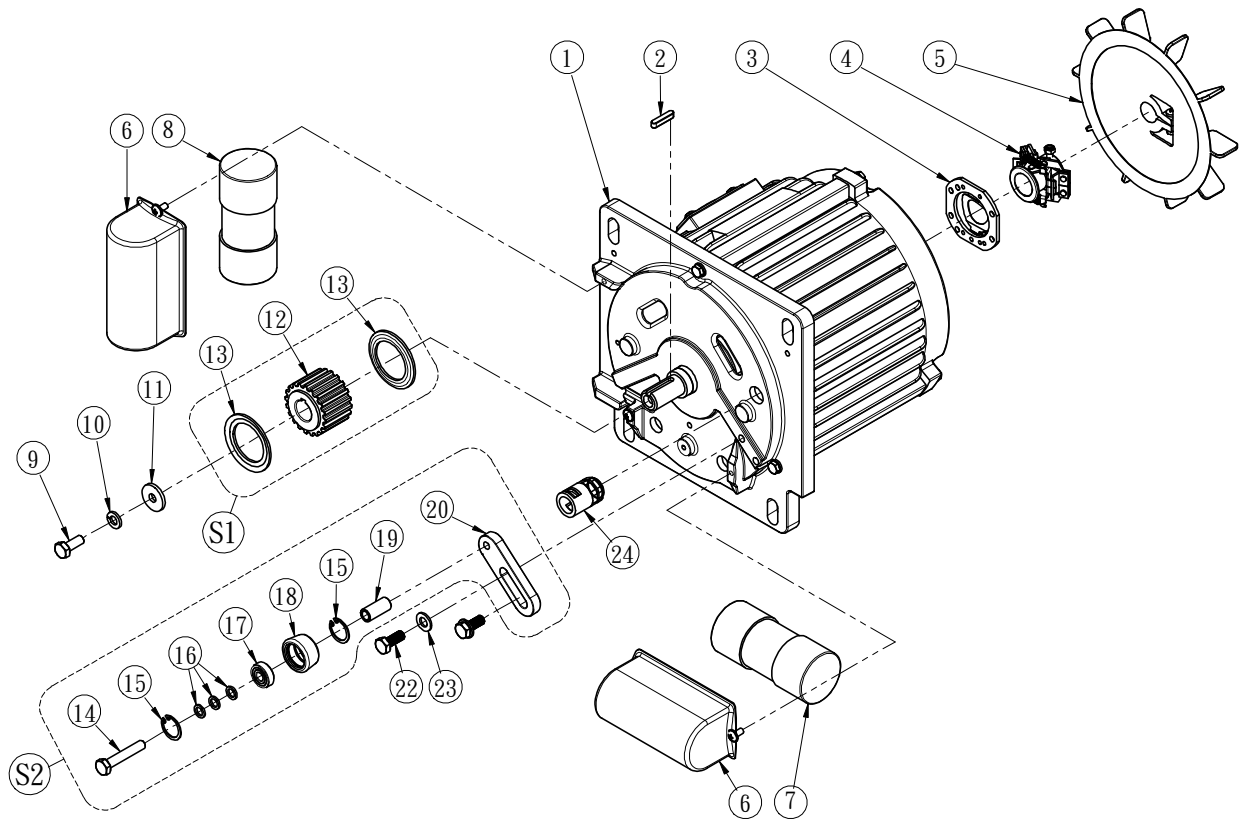
ITEM	PART NO.	Q'ty	REMARK
1	A502-6005LLU	1	
2	A502-6005	1	
3	60145	1	STANDARD- 15T TOOTH
	60M103	1	CUSTOMIZED FOR U.S.A- 13T TOOTH
4	A402-060635	1	
5	A502-6204	1	

SP-60HA & SP-60HI SPEED HANDLE & YOKE-SHIFTER ASSEMBLY



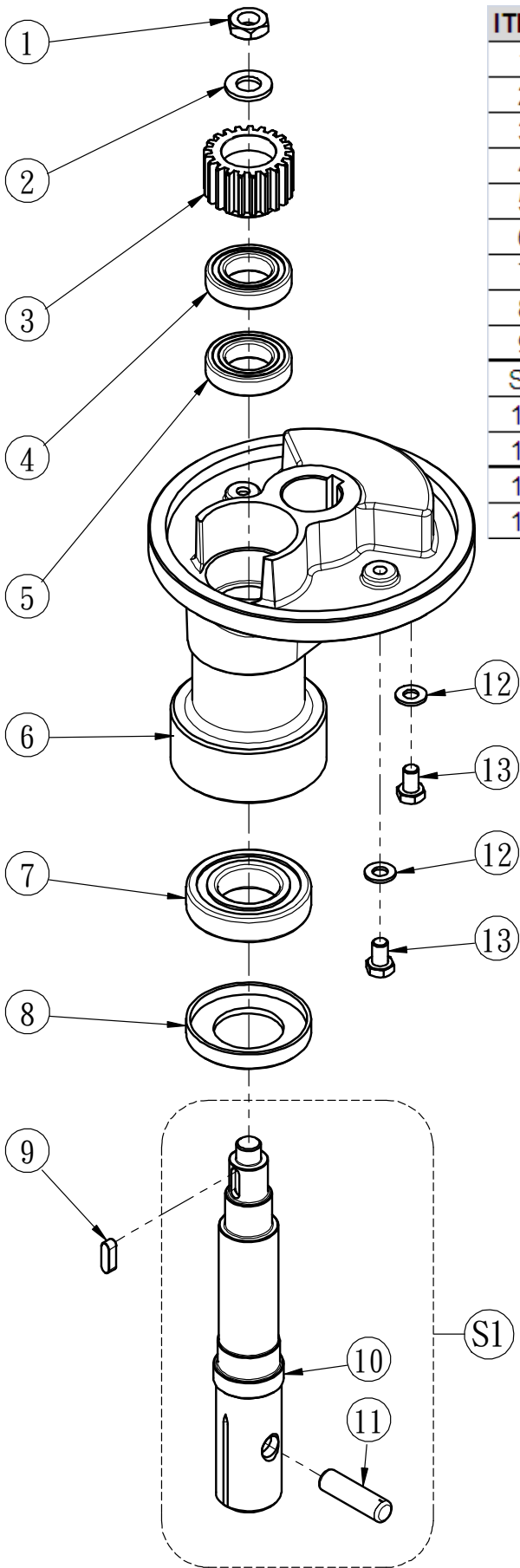
ITEM	PART NO.	Q'ty	REMARK
S1	40060S	1	ASSEMBLY PART; INCLUDE #1~#9
1	-	1	
2	-	1	
3	-	1	
4	-	2	
5	-	2	
6	-	1	
7	-	1	
8	-	1	
9	30057	1	ASSEMBLY PART; INCLUDES 1, #10, #11 AND #12
10	U101-003	1	
11	A108-A1108-C2	4	
12	30059-A	1	
S2	30059-AS-1	1	ASSEMBLY PART
S3	60139S	1	
13	-	1	
14	-	2	
15	-	2	
16	-	2	
17	40135	1	

SP-60HA & SP-60HI MOTOR ASSEMBLY



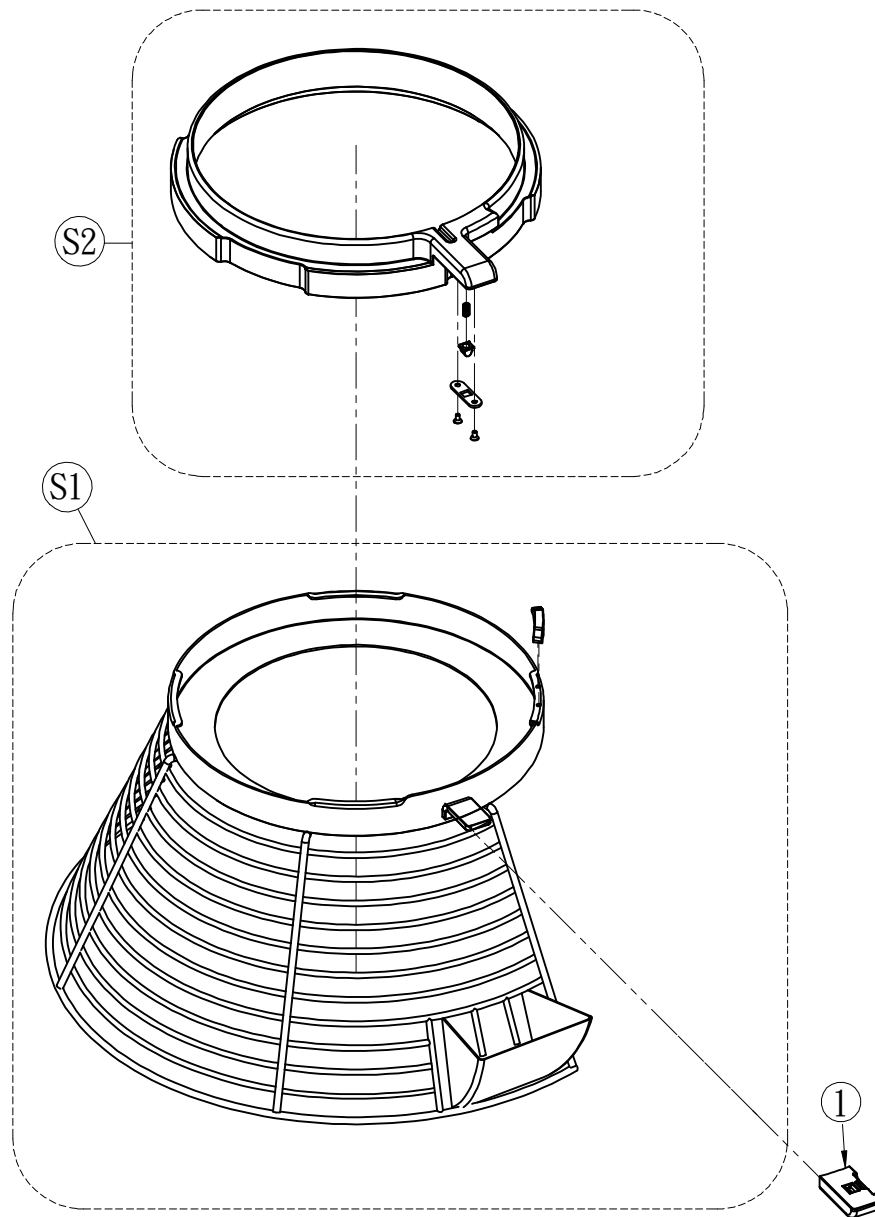
ITEM	PART NO.	Q'ty	REMARK
1	60068	1	PLEASE SPECIFY VOLTAGE WHEN ORDERING
2	A402-050525	1	
3	J701-001	1	SINGLE PHASE USE ONLY; PLEASE SPECIFY VOLTAGE WHEN ORDERING
4	J802-19-50	1	50HZ SINGLE PHASE USE ONLY; PLEASE SPECIFY VOLTAGE WHEN ORDERING
	J802-19-60	1	60HZ SINGLE PHASE USE ONLY; PLEASE SPECIFY VOLTAGE WHEN ORDERING
5	T801-19.185-10	1	
6	-	2	PART FROM MOTOR SUPPLIER
7	K201-600/250	1	SINGLE PHASE USE ONLY; PLEASE SPECIFY VOLTAGE WHEN ORDERING
8	K202-70/300	1	SINGLE PHASE USE ONLY; PLEASE SPECIFY VOLTAGE WHEN ORDERING
9	A101-A1309-A1	1	
10	A302-A13-B4	1	
11	A301-A13-25-2-A1	1	
S1	30071S	1	60HZ; ASEMBLY PART
	30071-1S	1	50HZ; ASEMBLY PART
12	-	1	
13	-	2	
S2	30158-1S	1	
14	-	1	
15	-	2	
16	-	3	ASEMBLY PART
17	-	1	
18	-	1	
19	-	1	
20	-	1	
21	-	-	
22	A101-A1309-A1	2	
23	A301-A13-16-2-D	2	
24	T101-002	1	

SP-60HA & SP-60HI PLANETARY UNIT



ITEM	PART NO.	Q'ty	REMARK
1	A201-B29T080-A1	1	
2	A301-A19-30-1-A1	1	
3	60021	1	
4	A502-6006LLU	1	
5	A502-6006ZZ	1	
6	60023	1	
7	A502-6208LLU	1	
8	TC-458012	1	
9	A402-070723	1	
S1	60027S	1	ASSEMBLY PART
10	-	1	
11	60028	1	
12	A301-A15-20-1-A1	2	
13	A101-A1508-A1	2	

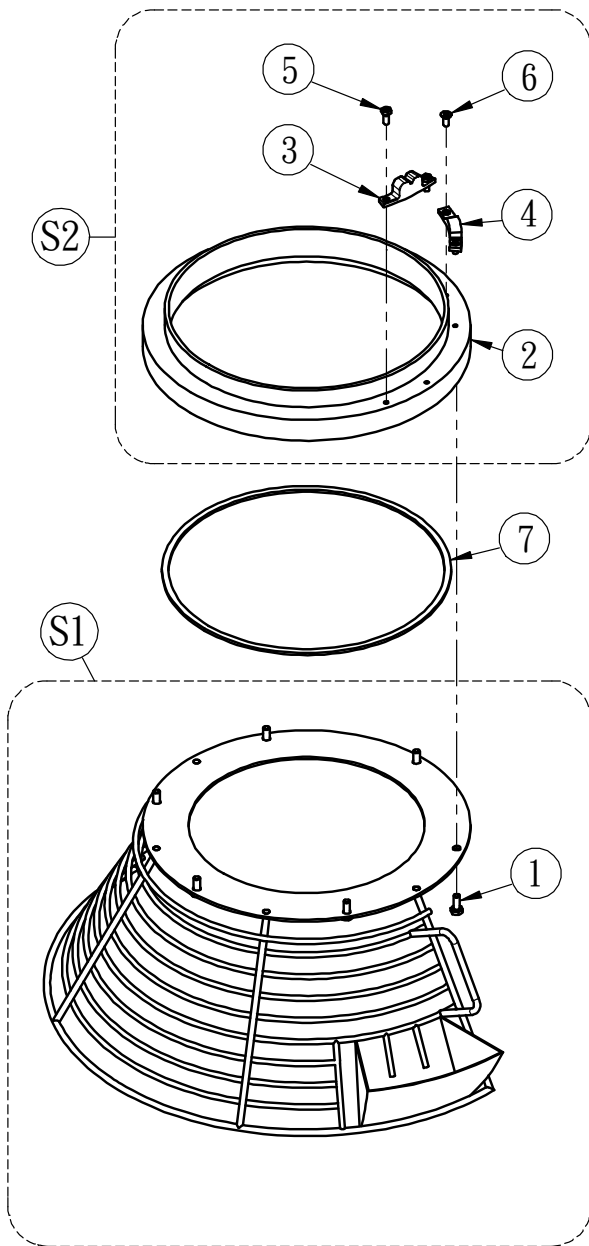
SP-60HA REMOVABLE SAFETY GUARD UNIT



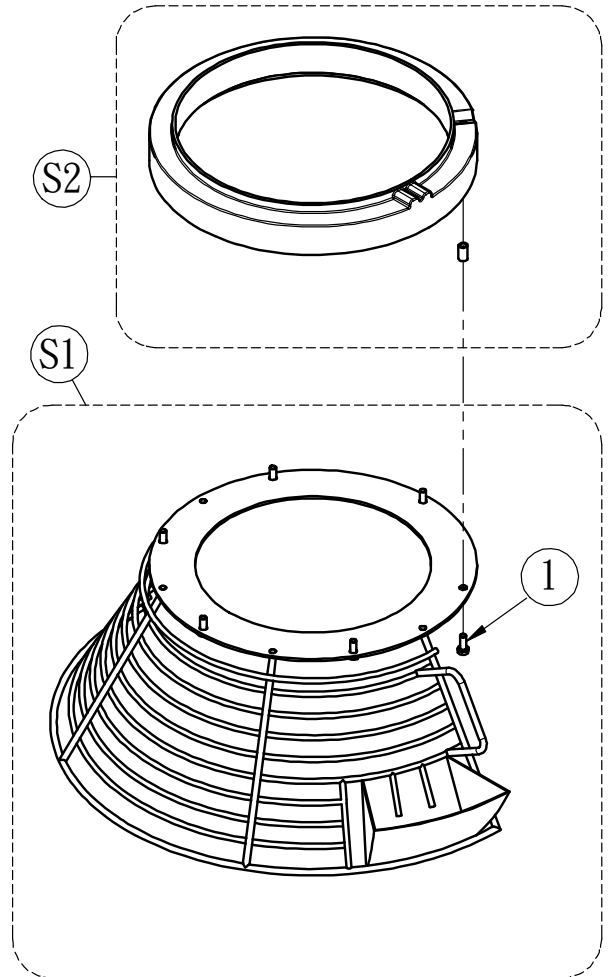
ITEM	PART NO.	Q'ty	REMARK
S1	60508S	1	ASSEMBLY PART
1	40504-A	1	
S2	60090-4S	1	ASSEMBLY PART

SP-60HI SAFETY GUARD UNIT- FIXED TYPE

METAL SLIDE SHEATH



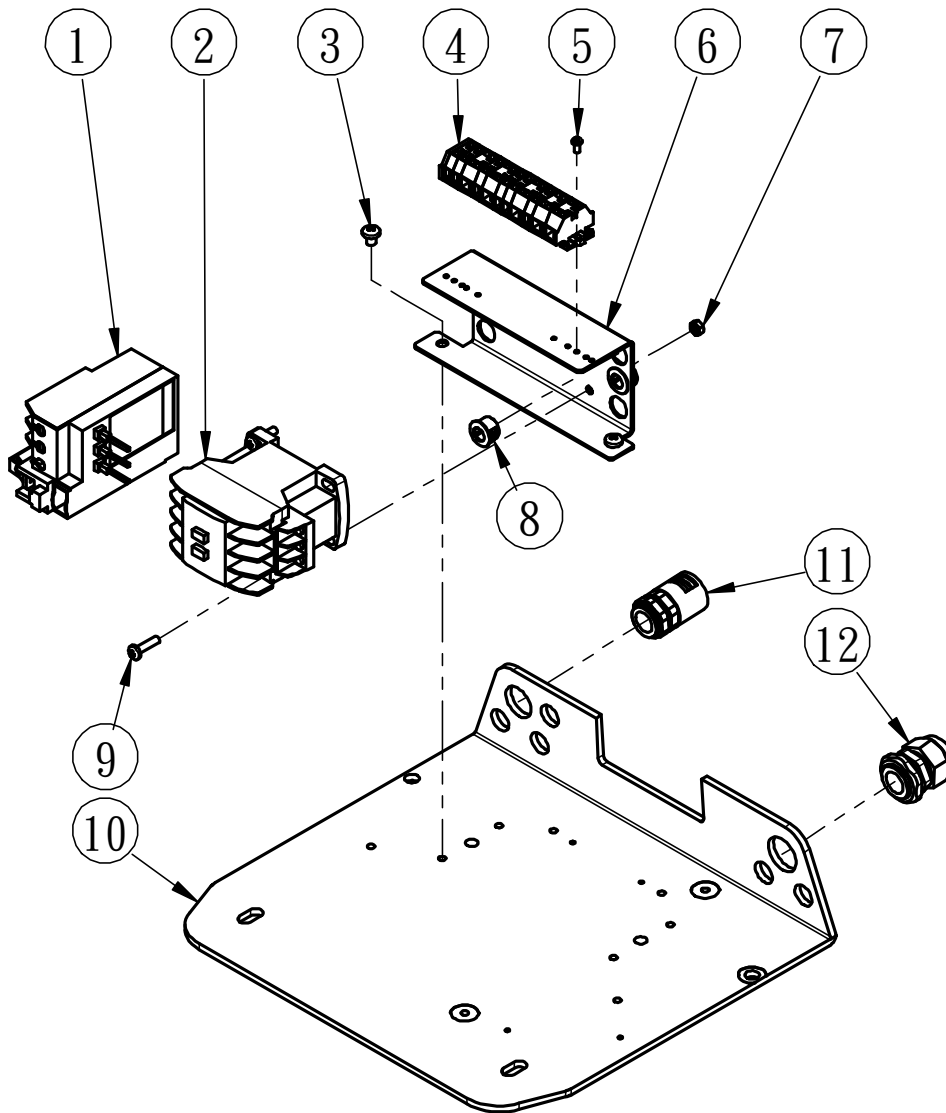
PLASTIC SLIDE SHEATH



ITEM	PART NO.	Q'ty	REMARK
S1	60094S	1	ASSEMBLY PART
1	A101-A1005-DB/G	6	
S2	60090-2S	1	METAL ONE; ASSEMBLY PART
	60090-1S		PLASTIC ONE; ASSEMBLY PART
2	-	1	
3	30161	1	
4	200041	1	
5	A110-A0808-D	2	
6	A107-A0805-D	2	
7	40091	1	METAL SLIDE SHEATH USE ONLY

SP-60HA & SP-60HI ELECTRONIC PART ASSEMBLY

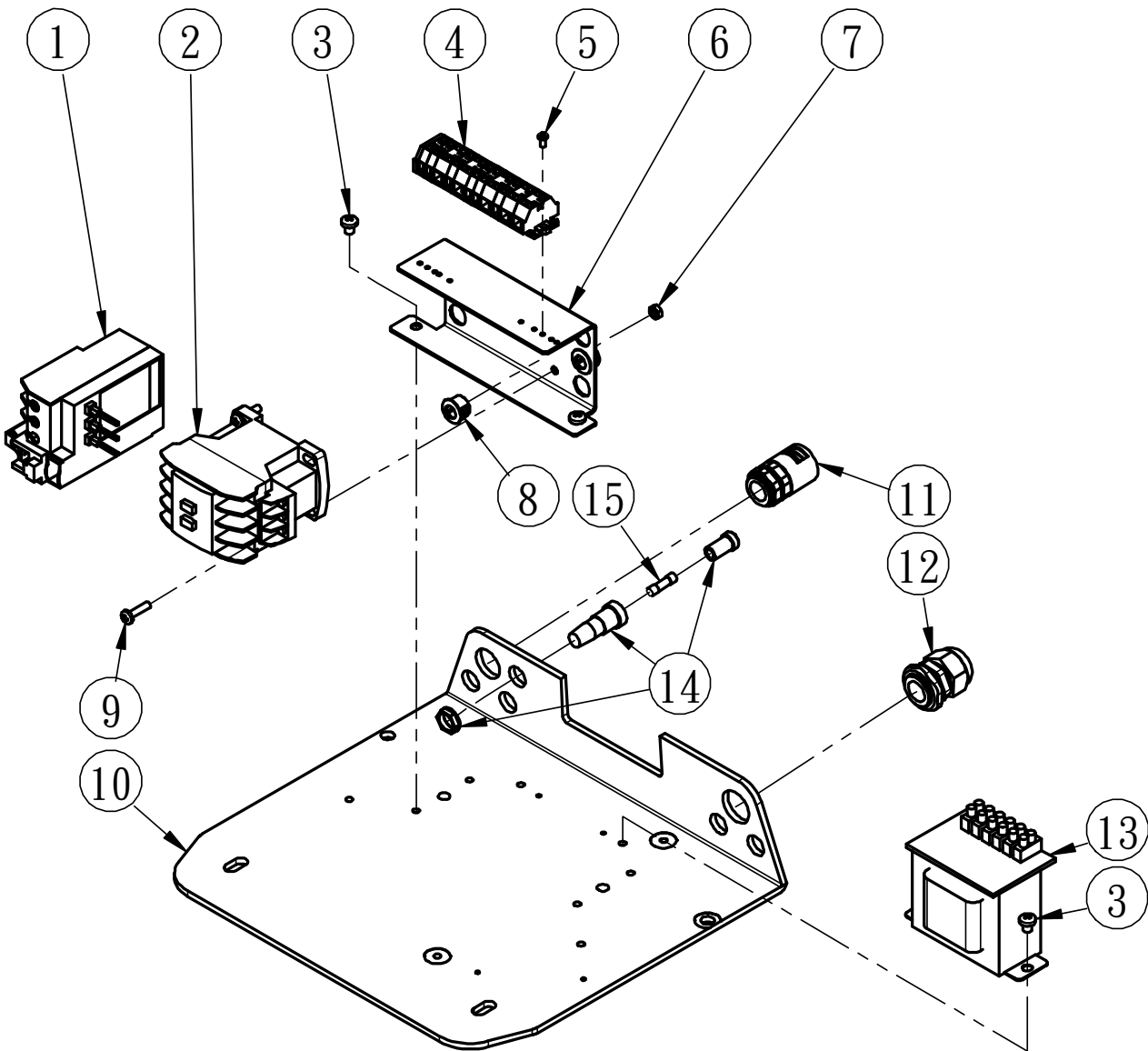
ETL SPEC.



ITEM	PART NO.	Q'ty	REMARK
1	60HI/154	1	SPECIFICATION IS DIFFERENT SUBJECT TO ELT AND CE SPEC. PLEASE SPECIFY VOLTAGE WHEN ORDERING
2	60HI/11	1	SPECIFICATION IS DIFFERENT SUBJECT TO ELT AND CE SPEC. PLEASE SPECIFY VOLTAGE WHEN ORDERING
3	A105-A1003-A1	2	
4	60HI/12	1	
5	A105-A0603-A1	2	
6	30013-A	1	
7	A201-A08-A1	2	
8	T601-001	2	
9	A105-A0808-A1	2	
10	40013	1	
11	T101-002	1	
12	T102-002	1	

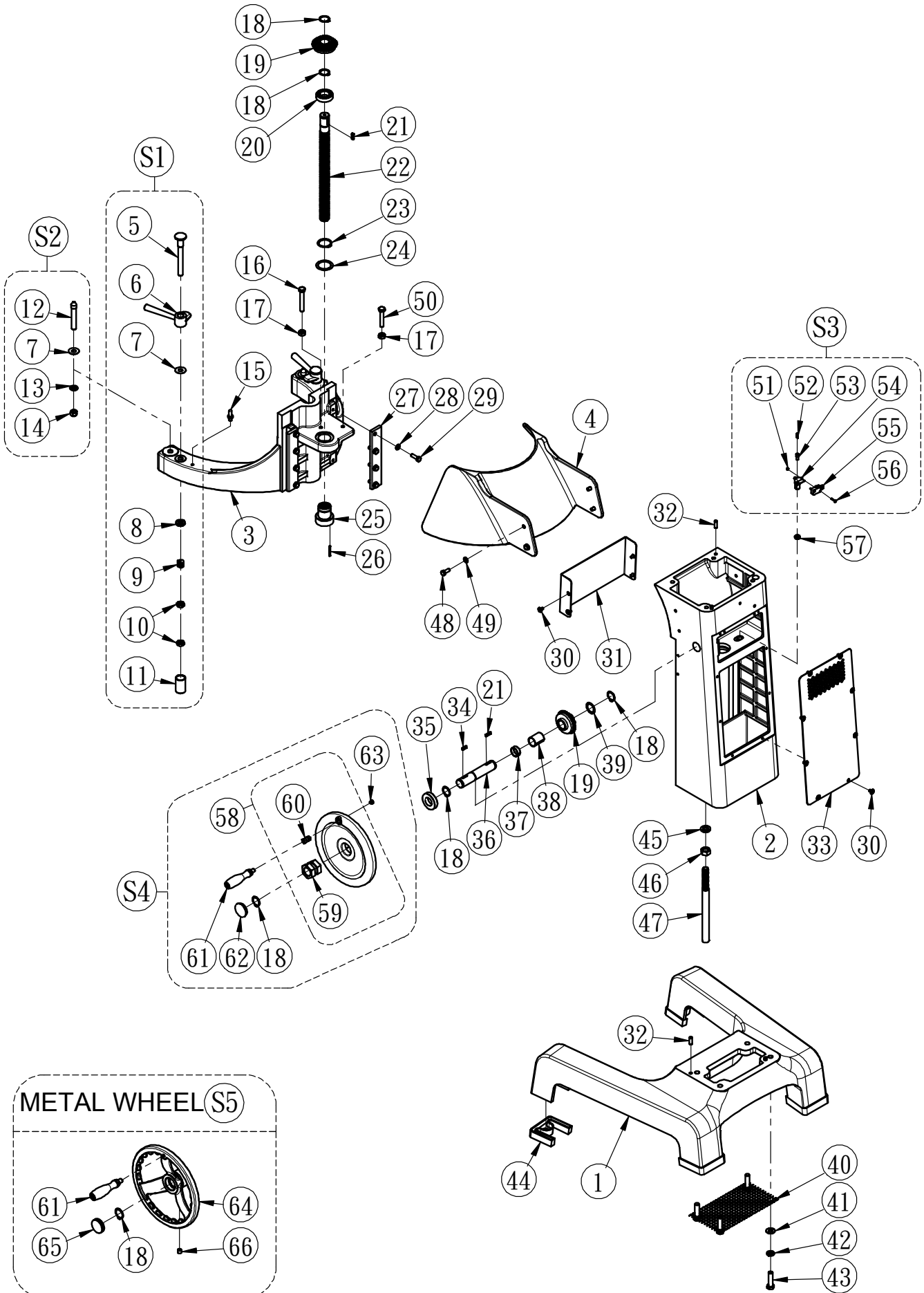
SP-60HA & SP-60HI ELECTRONIC PART ASSEMBLY

CE SPEC.



ITEM	PART NO.	Q'ty	REMARK
1	60HI/154	1	SPECIFICATION IS DIFFERENT SUBJECT TO ELT AND CE SPEC. PLEASE SPECIFY VOLTAGE WHEN ORDERING
2	60HI/11	1	SPECIFICATION IS DIFFERENT SUBJECT TO ELT AND CE SPEC. PLEASE SPECIFY VOLTAGE WHEN ORDERING
3	A105-A1003-A1	4	
4	60HI/12	1	
5	A105-A0803-A1	2	
6	30013-A	1	
7	A201-A08-A1	2	
8	T801-001	2	
9	A105-A0808-A1	2	
10	40013	1	
11	T101-002	1	
12	T102-002	1	
13	60HI/157	1	PLEASE SPECIFY VOLTAGE WHEN ORDERING
14	L302-6.3-250	1	
15	L301-A-1-250	1	

SP-60HA & SP-60HI BODY AND BASE UNIT



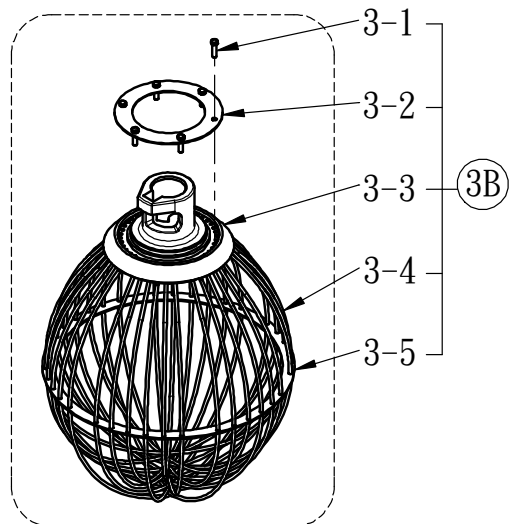
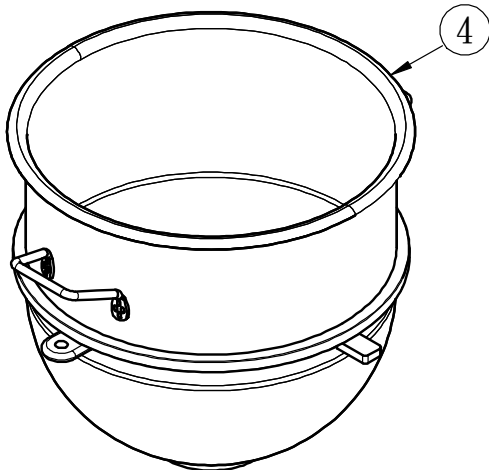
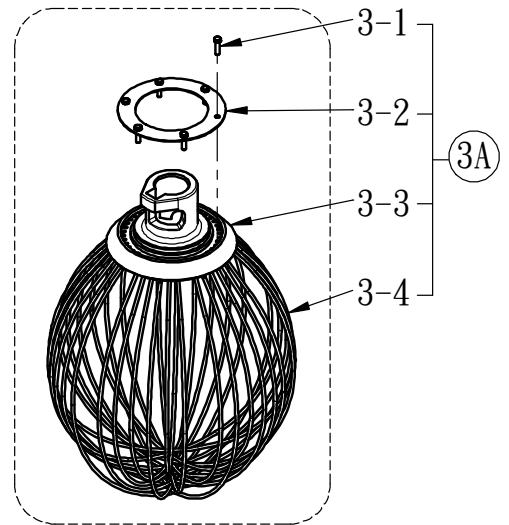
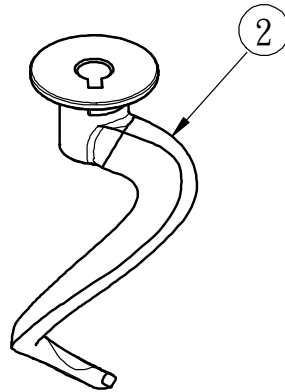
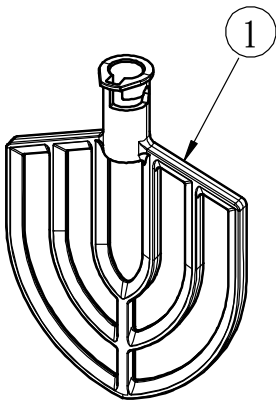
SP-60HA & SP-60HI BODY AND BASE UNIT PARTS TABLE

ITEM	PART NO.	Q'ty	REMARK
1	40038	1	
2	40042	1	
3	60034	1	
4	60036	1	
S1	60108S	2	ASSEMBLY PART
5	60108	2	
6	30033	2	
7	A301-A17-30-1-D	4	
8	30108-1	2	
9	30108-2	2	
10	A201-A17T070-A1	4	
11	C-8057	2	
S2	60109S	2	ASSEMBLY PART
12	60109	2	
13	A302-A17-A1	2	
14	A204-A17-A1	2	
15	30109-1	2	
16	A101-A1519-A1	1	
17	A201-A15-A1	2	
18	STW-25	5	
19	30045	2	
20	A502-6005LLU-1	1	
21	A402-050520	2	
22	30041	1	
23	STW-35	1	
24	30104-A	1	
25	30104	1	
26	A902-04032	2	
27	40035	2	
28	A302-A13-B4	8	
29	A101-A1310-A1	8	
30	A106-A1105-D	12	
31	40102	1	
32	A901-08023	4	
33	40055	1	
34	A402-050517	1	

SP-60HA & SP-60HI BODY AND BASE UNIT PARTS TABLE

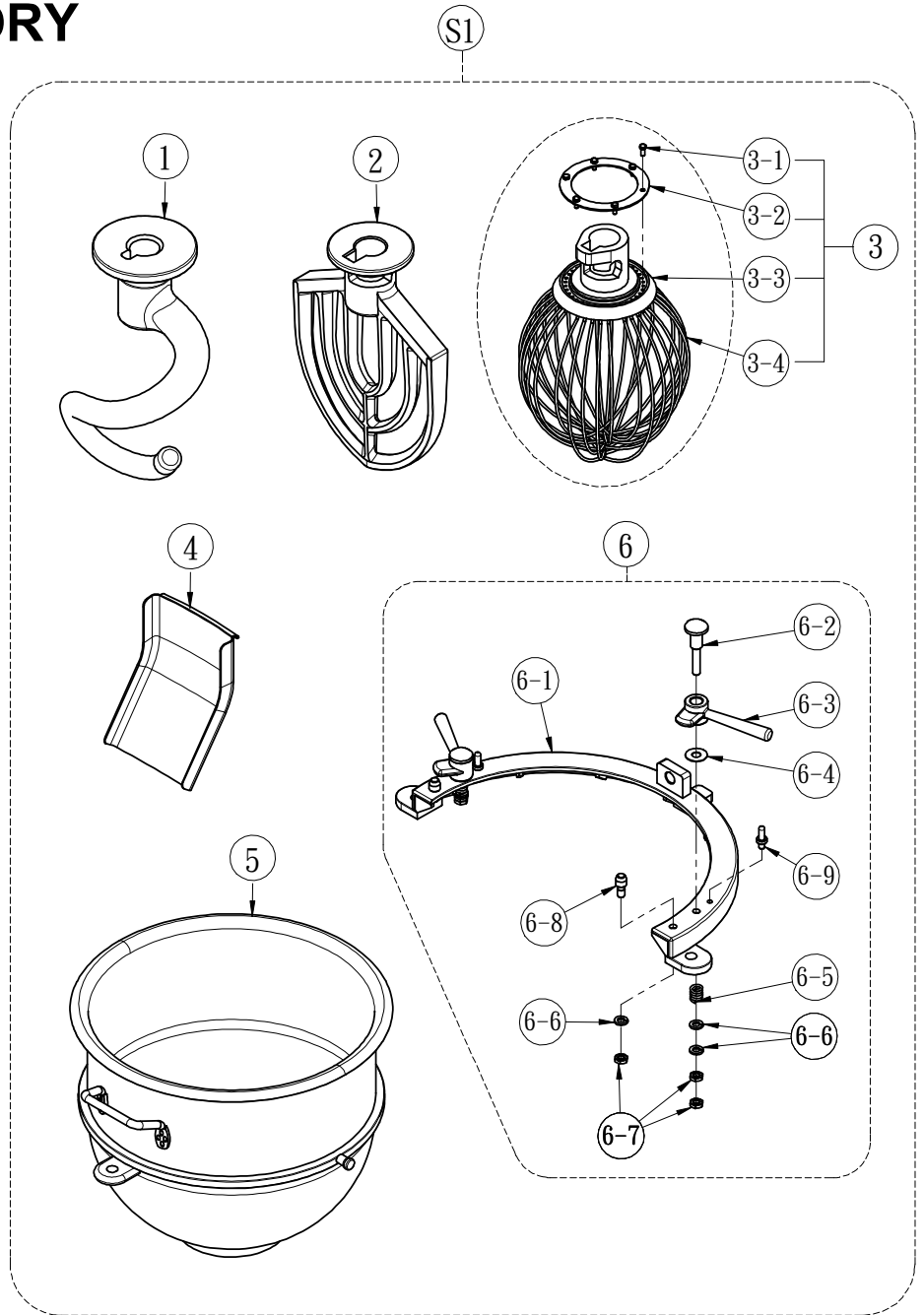
ITEM	PART NO.	Q'ty	REMARK
35	40053-1	1	
36	40047	1	
37	A501-025010	1	
38	A501-025035	1	
39	30045-A	→	PLEASE CONSULT US WHEN ORDERING
	30045-B		
40	40037	1	
41	A301-A17-25-1-A1	4	
42	A302-A17-B4	4	
43	A101-A1714-A1	4	
44	40162	1組	
45	A302-C08-B4	1	
46	A201-C08T120-A1	1	
47	60032-2	1	
48	A101-A1309-D	4	
49	A301-A13-16-2-D	4	
50	A101-A1516-A1	1	
S3	30051-1S	1	ASSEMBLY PART
51	A201-A06-A1	2	
52	200075-1	1	
53	30051-1	1	
54	30051	1	
55	J403-001	1	
56	A105-A0630-A1	2	
57	A201-B58T050-E2/G1	1	
S4	30053-2S	1	ASSEMBLY PART
58	-	1	
59	-	1	
60	-	1	
61	B101-001	1	
62	30053-2	1	
63	T501-HP08	1	
S5	40053S	1	ASSEMBLY PART
64	40053	1	
65	40053-2	1	
66	A103-A1505-C4	1	

SP-60HA & SP-60HI ACCESSORY LIST



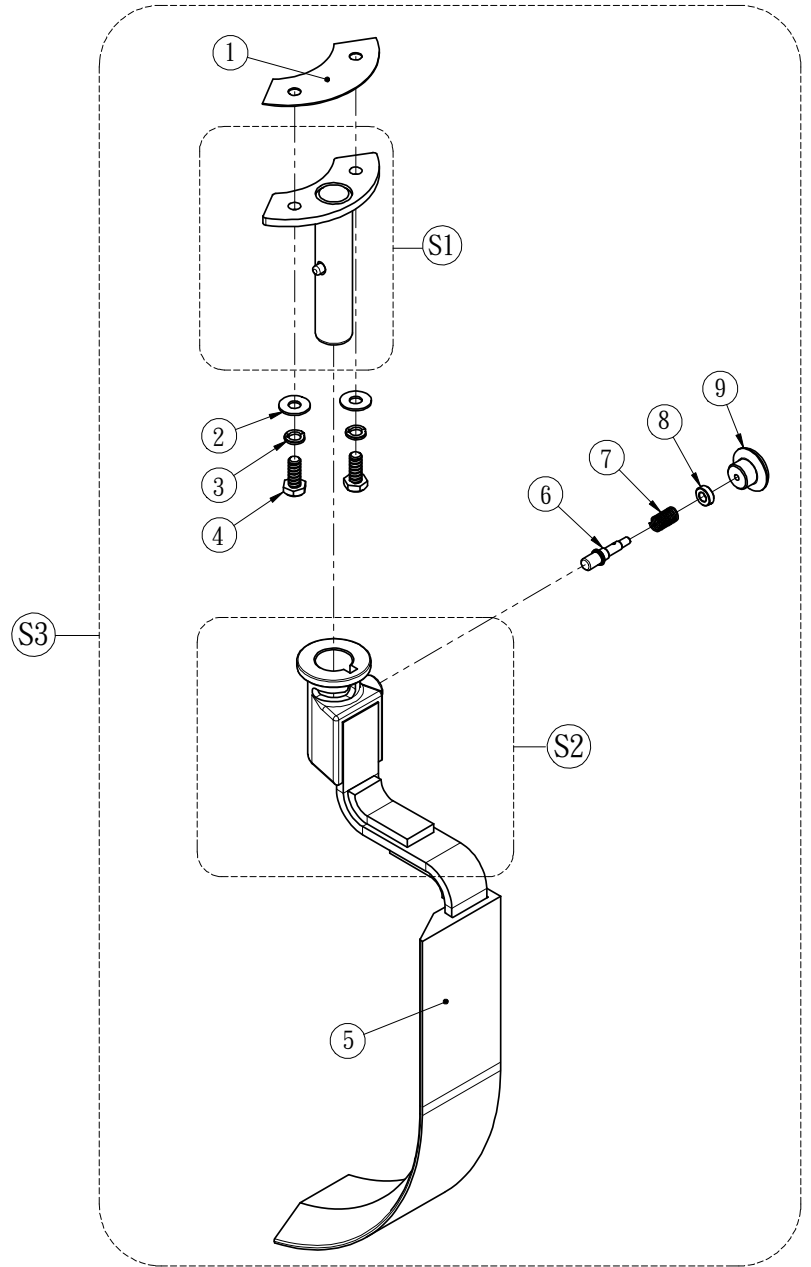
ITEM	PART NO.	DESCRIPTION	Q'ty	REMARK
1	60030	ALUMINUM FLAT BEATER	1	STANDARD ACCESSORY
	60030-1	STAINLESS STEEL FLAT BEATER	1	OPTIONAL ACCESSORY
2	60029-2	ALUMINUM DOUGH HOOK- SPIRAL TYPE	1	STANDARD ACCESSORY
3A	60031S	WHIP	1	STANDARD ACCESSORY- ASSEMBLY PART
3B	60031-2S	HEAVY DUTY WHIP	1	OPTIONAL ACCESSORY- ASSEMBLY PART
3-1	A101-A1006-D	SCREW(M5x12L)	6	
3-2	60031-1	RING COVER	1	
3-3	-		1	
3-4	-		18	
3-5	60031-2	STRENGTHEN RING	1	
4	60032	BOWL	1	STANDARD ACCESSORY

SP-60HA & SP-60HI 30QT REDUCITON KIT OPTION ACCESSORY



ITEM	PART NO.	DESCRIPTION	Q'ty	REMARK
S1	30/60ACC	30QT REDUCION KIT	1	INCLUDE BOWL, TOOLS AND ADAPTER
1	60029-L	30QT ALUMINUM SPIRAL DOUGH HOOK	1	
2	60030-L	30QT ALUMINUM FLAT BEATER	1	
3	60031-LS	30QT WHIP	1	
3-1	A101-A1008-D	SCREW(M5x12L)	6	ASSEMBLY PART
3-2	30031-1	RING COVER	1	
3-3	-		1	
3-4	-		15	
4	40094-1	CHUTE FOR SAFETY GUARD	1	
5	30032	30QT BOWL	1	
6	30/60RACK	ADAPTER ASSEMBLY	1	
6-1	-	ADAPTER	1	ASSEMBLY PART
6-2	60108L	SCREW	2	
6-3	30033	BOWL CLAMP HANDLE	2	
6-4	A301-A15-22-1-D	WASHER(M10x22x1t)	2	
6-5	CS-030170025	SPRING	2	
6-6	A302-A15-B4	SPRING WAHER(M10)	6	
6-7	A201-A15-A1	NUT(M10)	6	
6-8	60109L	DOWEL PIN	2	
6-9	30109-1	SCREW	2	

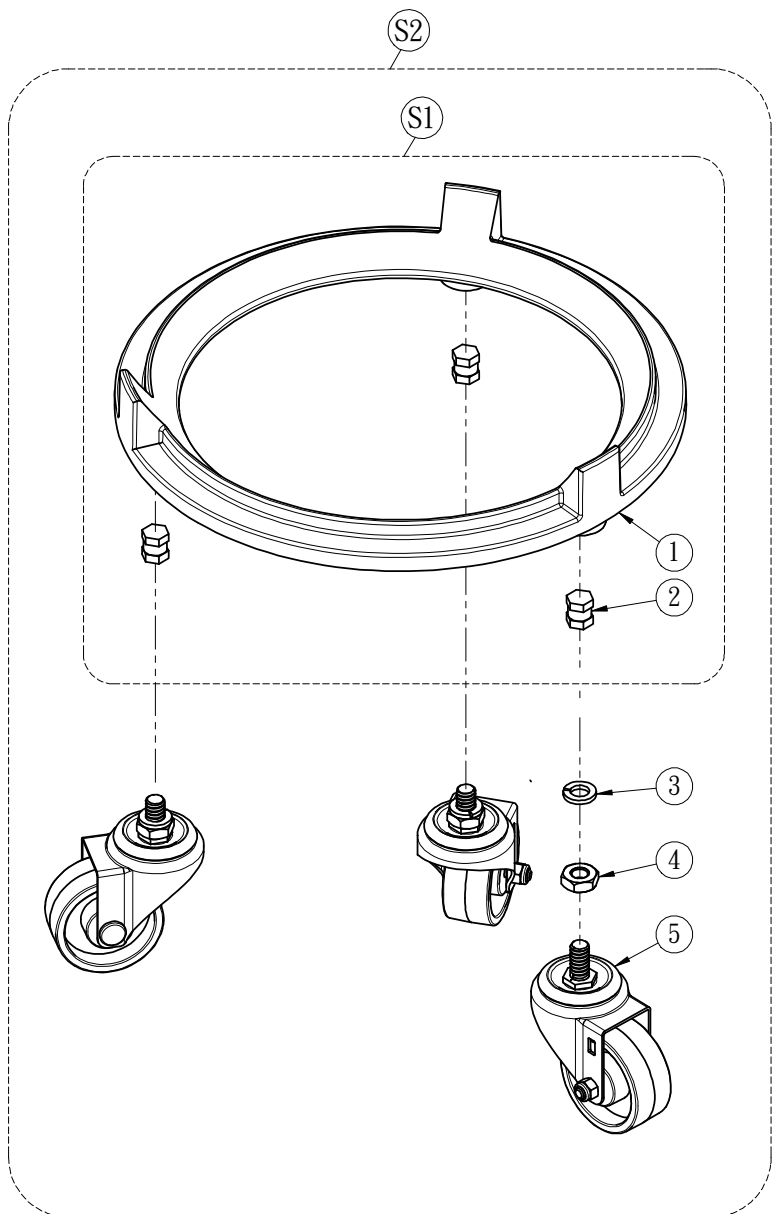
SP-60HA & SP-60HI BOWL SCRAPER OPTION ACCESSORY



ITEM	PART NO.	Q'ty	REMARK
1	60211-1	1	
S1	60211S	1	ASSEMBLY PART
2	A301-A15-25-2-D	2	
3	A302-A15-D	2	
4	A101-A1510-D	2	
S2	60333S	1	ASSEMBLY PART; NOT INCLUDE L-8006, L-8009, L-8010, L-8008, L-8012
5	L-8006	1	
6	L-8009	1	
7	L-8010	1	
8	L-8008	1	
9	L-8012	1	
S3	60/SCRP	1	COMPLETE BOWL SCRAPER SET

SP-60HA & SP-60HI BOWL TRUCK

OPTION ACCESSORY



ITEM	PART NO.	Q'ty	REMARK
S1	60032-TS	1	ASSEMBLY PART
1	-	1	
2	-	3	
3	A302-C06-A1	3	
4	A201-C06-A1	3	
5	T301-001	3	
S2	TROLLY/60	1	INCLUDE S1, #3, #4 AND #5 AS ONE SET