



сайт: [www.пестопан.ru](http://www.пестопан.ru)  
т./факс: (495) 921-39-86

# SP-200A Mixer

Project \_\_\_\_\_ Item # \_\_\_\_\_ Quantity \_\_\_\_\_



SP-200A Mixer

Model  
Model  
SP-200A 20 Quart Mixer



**Built into each mixer is the quality of workmanship and design synonymous with SPAR.**

## Standard Features

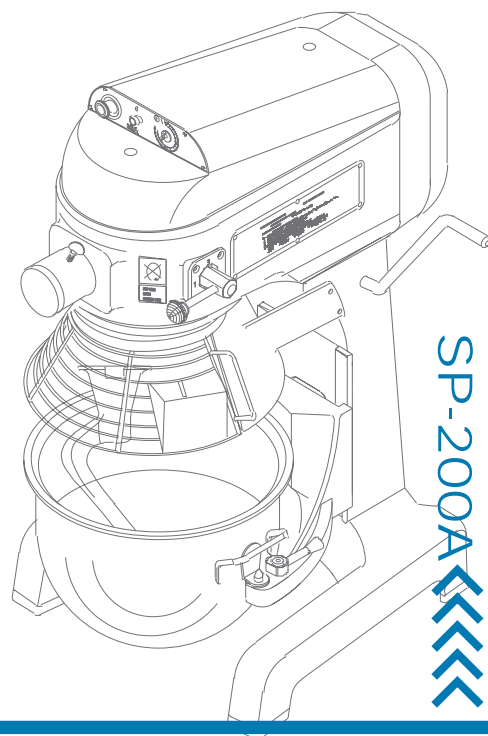


- Powerful 1/2 HP custom built motor
- Three fixed speeds
- Gear driven, high torque transmission
- Heat-treated hardened steel alloy gears and shafts
- Permanently lubricated transmission
- Thermal overload protection
- Rigid cast iron body
- Stainless steel bowl guard with built in ingredient chute
- NSF approved enamel gray paint (optional)
- Front mounted controls
- 15 minute timer
- Industry standard #12 attachment hub
- Safety interlocked bowl guard and bowl lift
- Non-slip rubber feet
- 6 foot cord and ground plug

## Standard Accessories



- 20 quart stainless steel bowl
- Flat beater (aluminum)
- Stainless steel wire whip
- Spiral dough hook (aluminum)



SP-200A



# SP-200A Mixer

## Specifications

● **Motor** <<<<<<  
 1/2 HP (370W) grease packed ball bearing, air-cooled, 230V/50Hz/1Ph

● **Controls** <<<<<<  
 Spar Mixer controls are front-mounted to give easy access in cramped kitchen environments. The following controls are standard on all Spar Mixers: separate start and emergency stop buttons so operators can shut down the mixer immediately in an emergency situation, and thermal overload protection

● **Cord and Plug** <<<<<<  
 6 ft. flexible three wire cord and ground prong.

● **Transmission** <<<<<<  
 Heat-treated, hardened alloy, precision milled gears operate with planetary action. Gears are packed in a long-lasting, high pressure grease. Planetary gears are driven by direct linkage to the motor drive shaft. This design yields high-torque mixing power.

● **Speeds** <<<<<<

Speed	Agitator rpm	Hub rpm's
Low Speed	106	59
Intermediate Speed	196	110
High Speed	358	201

● **Bowls and Agitators** <<<<<<  
 Standard equipment includes a 20Qt. (19Litres) high quality stainless steel bowl, dough hook, flat beater, and whip. A sturdy hand lever on the body column raises and lowers the bowl as well as locking in place at the top and bottom positions.

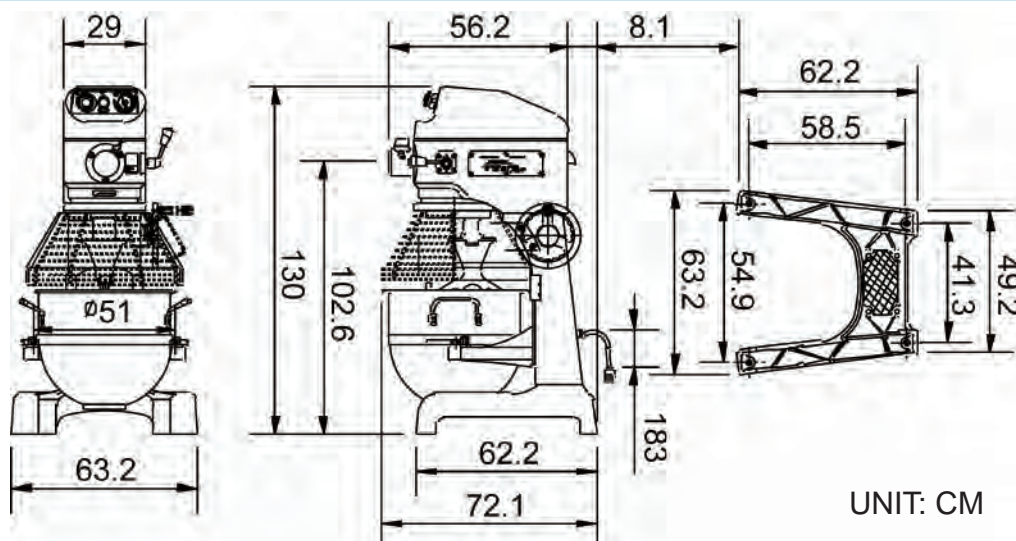
● **Attachments** <<<<<<  
 Vegetable Slicer for #12 hub  
 Meat grinder for #12 hub  
 10 quart adapter kit  
 Flat beater (stainless steel)  
 Spiral dough hook (stainless steel)

● **Finish** <<<<<<  
 Top (transmission cover): metallic bronze epoxy enamel  
 Bottom: metallic gray epoxy enamel

● **Shipping Information** <<<<<<  
 N.W. 80kgs  
 G.W. 100kgs

Carton Size:  
 Depth x Width x Height  
 53cm x 52cm x 87cm

Cartons are affixed to an undersized skid (pallet), the weight and dimensions of this skid are not included above and may vary from shipment to shipment.



UNIT: CM

SP-200A <<<<<<